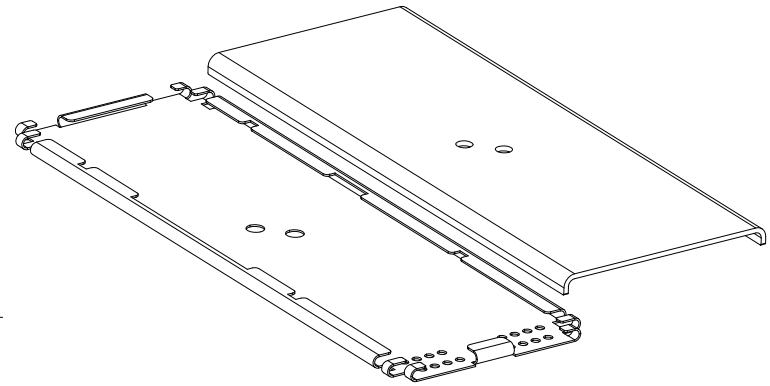
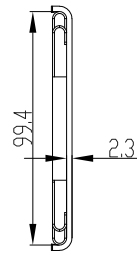
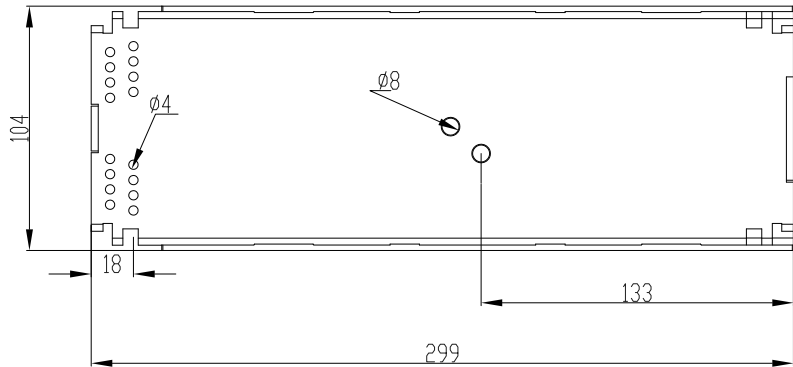


1 2

THE INFORMATION CONTAINED HEREON IS PROPRIETARY AND CONFIDENTIAL TO DYNACOM CORPORATION, AND SHALL NOT BE USED OR DISCLOSED, IN WHOLE OR IN PART, WITHOUT FIRST OBTAINING THE WRITTEN PERMISSION FROM DYNACOM CORPORATION.

3		4		
ZONE	REV	DESCRIPTION	DATE	APPV.
-	A	RELEASED.	12/04/2020	E.A.
-				
-				



Material:
 Tray: Aluminum
 Clear Cover: Polycarbonate



e-mail.....sales@dynacomcorp.com
 31082 San Antonio Street
 Hayward, California 94544

Dimensions: mm			
NEXT ASSY-	DRAWN: E.A.	CHECKED: C.Z.	
TITLE: ALUMINUM FIBER SPLICE TRAY 11"		DWG. NO. 900-ATR11	SHEET 1 OF 1 REV. A