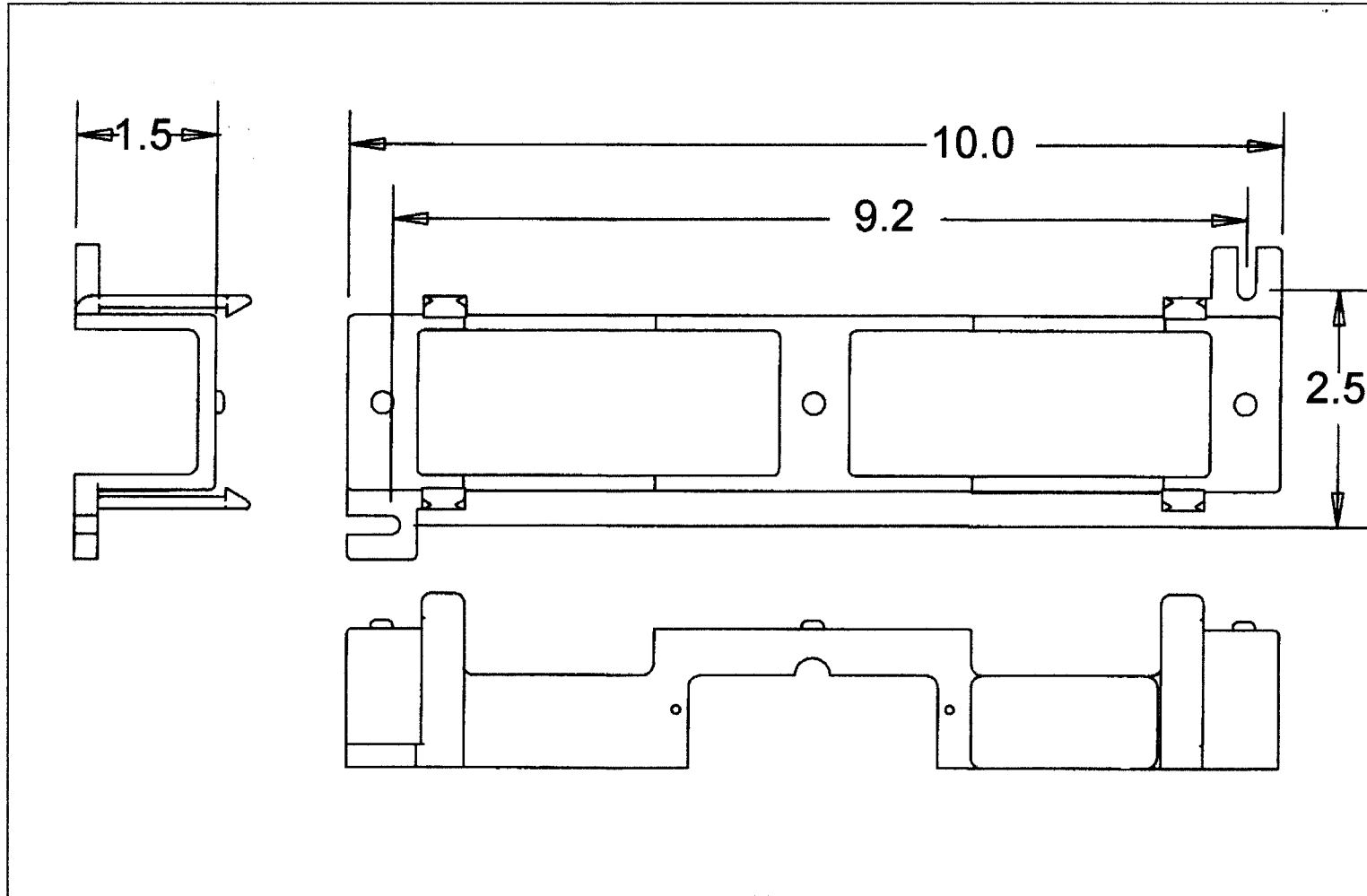


1 2

THE INFORMATION CONTAINED HEREON IS PROPRIETARY AND CONFIDENTIAL TO DYNACOM CORPORATION. AND SHALL NOT BE USED OR DISCLOSED, IN WHOLE OR IN PART WITHOUT FIRST OBTAINING THE WRITTEN PERMISSION OF DYNACOM CORPORATION.

3		4		
ZONE	REV.	DESCRIPTION	DATE	APPV.
-	A	INITIAL RELEASE	06/19/12	E.A.



e-mail.....sales@dynamcomcorp.com  
 website.....www.dynamcomcorp.com

TOLS. .X=+/- 0.030, .XX=+/- 0.010, .XXX=+/- .005, ANGLES=+/-0.5 DEG.

NEXT ASSY: -	DRAWN: E.A. 06/19/2012	CHECKED: EA
TITLE: 89B BRACKET	DWG. NO. 89B	SHEET 1 OF 1 REV. A