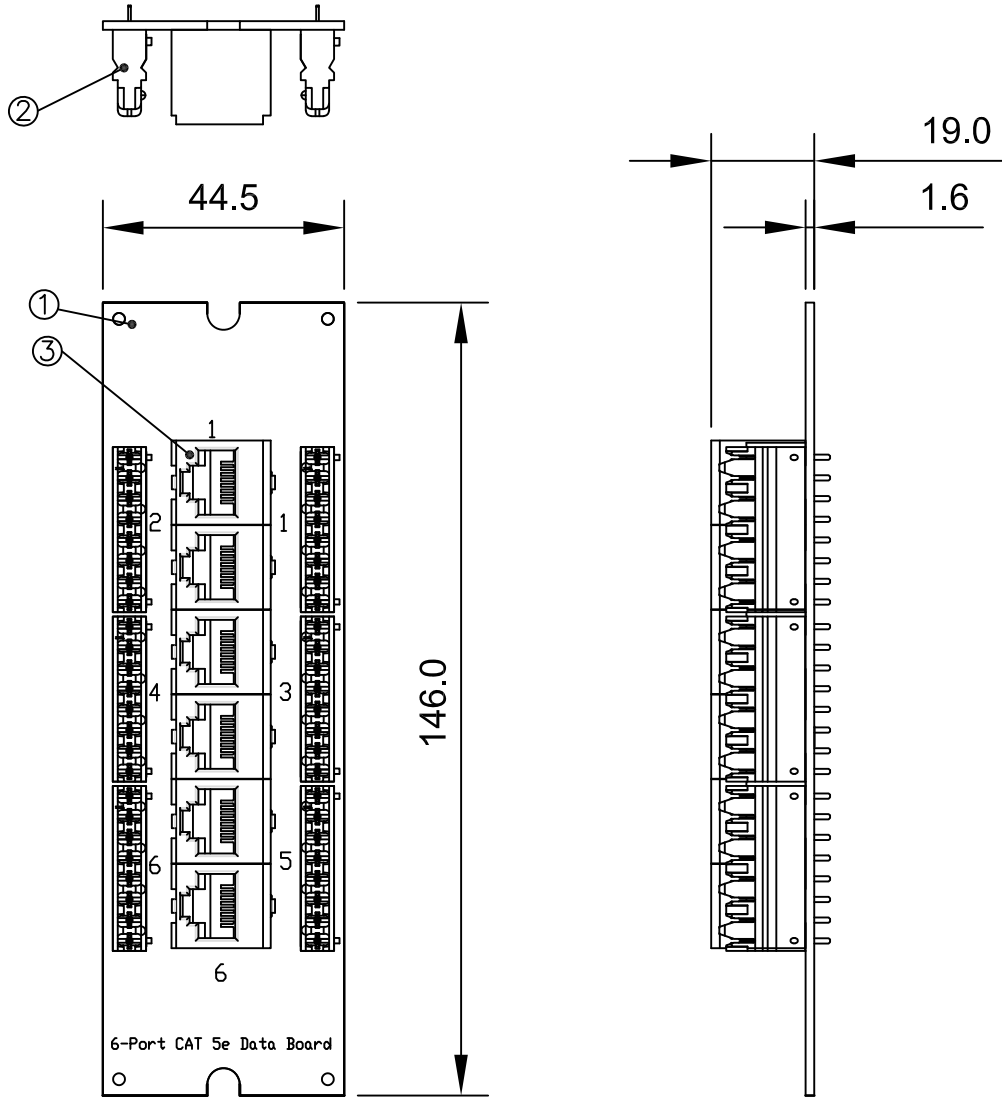


THE INFORMATION CONTAINED HEREON IS PROPRIETARY AND CONFIDENTIAL TO DYNACOM CORPORATION. AND SHALL NOT BE USED OR DISCLOSED, IN WHOLE OR IN PART WITHOUT FIRST OBTAINING THE WRITTEN PERMISSION OF DYNACOM CORPORATION. SPECIFICATIONS SUBJECT TO CHANGE WITHOUT NOTICE.

ZONE	REV.	DESCRIPTION	DATE	APPV.
-	A	INITIAL RELEASE	10/05/2016	E.A.



TRANSMISSION PERFORMANCE
 Meet all requirements specified in connecting hardware requirement of:
 ANSI/TIA-568-C.2 Category 5e

ELECTRICAL
 Electrical Insulation Resistance : 500 MΩ min. @ 100V d.c
 Dielectric Withstanding Voltage : 1000V d.c. or a.c. Peak Contact to Contact @ 60Hz for 1 minute

MECHANICAL
 Insertion / Extraction Life : 750 Cycles Minimum
 IDC Wire Gauge : 22 ~ 24 AWG

PHYSICAL
 Housing : High-Impact, Flame-Retardant Plastic, UL 94V-0
 Spring Wire : Phosphor Bronze Alloy Plated With 50 micro-inch of Gold
 IDC : Phosphor Bronze Alloy With 100 micro-inch 100% Sn Alloy

3	RJ45	X1
2	IDC	X6
1	PCB	X1
No:	Description	Remarks

6-Port CAT 5e Data Board



e-mail...sales@dynacomcorp.com
 www.dynacomcorp.com

TOLS ~ 20MM ± 0.2MM, OVER 20MM TO 60MM ± 0.4MM, OVER 60MM ± 0.8MM. ANGLES ± 1 DEG

NEXT ASSY: -	DRAWN: E.A. 10/05/2016	CHECKED: EA
TITLE	DWG. NO.	SHEET 1 OF 1
Data Board Cat5e, 6 Port	850-P305E-6	REV. A