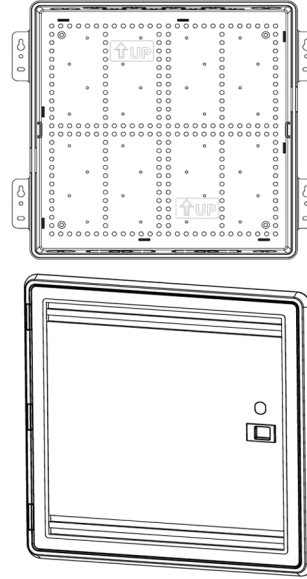


Multi-Media Plastic Enclosure for Wireless Applications



Enclosure for Wireless Applications

PART NO. **820-P14-DB**

APPLICATION

- Design provides convenient and easy installation and distribution for a full range of voice, data, audio and video wiring within residential and commercial premises.
- Plastic construction reduces the electrical interference to wireless signals and improves wireless signal range compared to metal boxes.

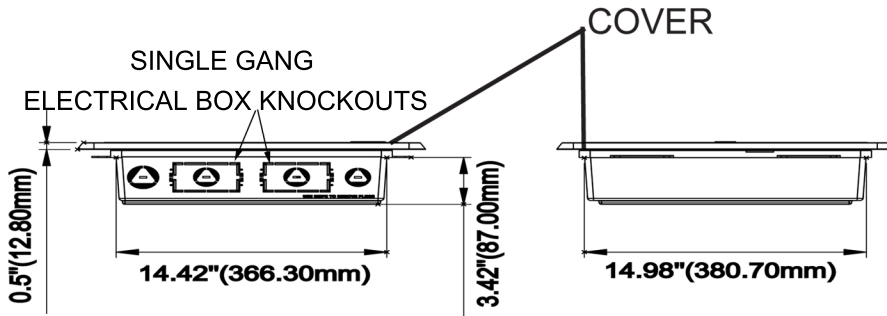
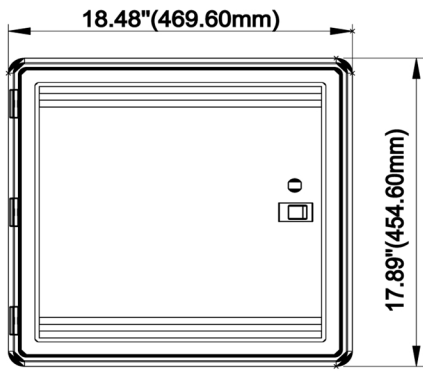
FEATURES

- The door is a hinged design that can be reversed to swing open from the left or the right.
- The door is flush mounted and protrudes from the drywall surface by only 0.50 inches.
- The door has hidden vent holes in order to allow cooling for your powered applications.
- Knock outs on the top and bottom support cable entry and routing.
- The materials of cover and frame are flame retardant and UV resistant.
- Optional door locks available.

STANDARDS

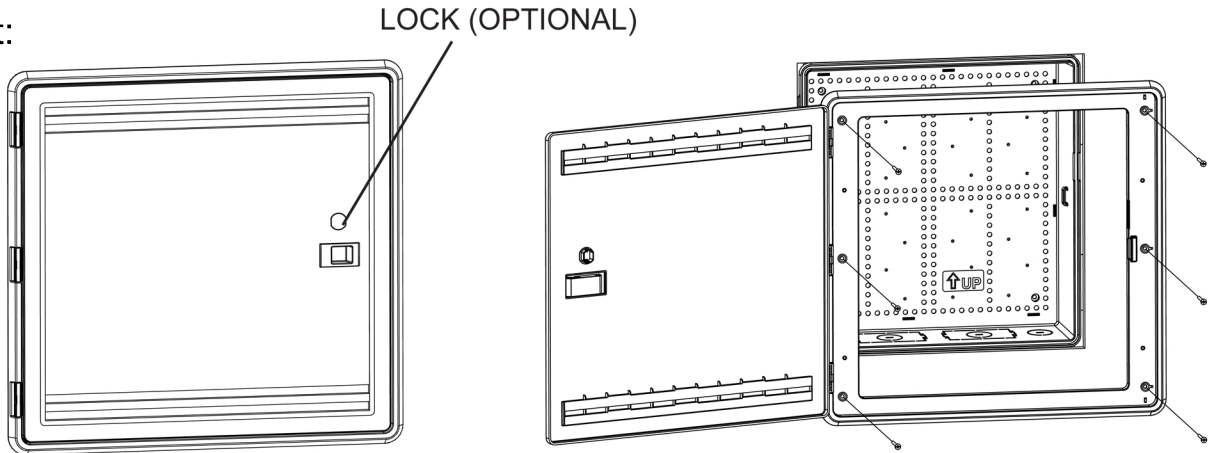
- TIA-570 residential wiring standard specifies T568A color code wiring
- UL 1863 safety listed
- UL 94V-0 flammability standard (Materials : ABS plastic)
- ANSI/TIA-568-C.2





- The vented door has a hinged design and can be reversed to swing open from the left or the right.

Left:



Right:

