

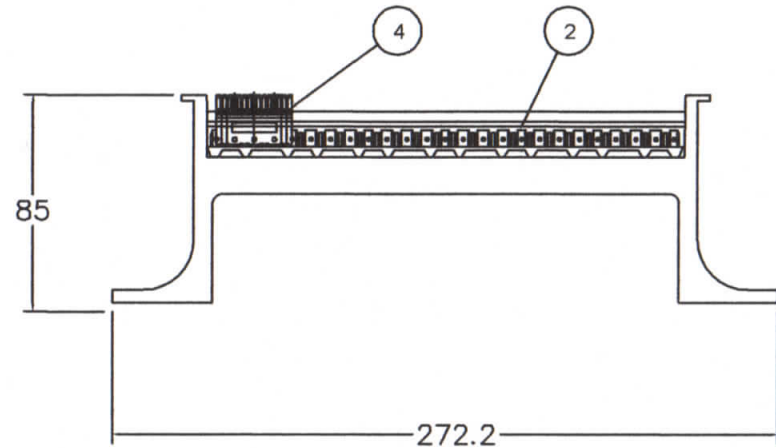
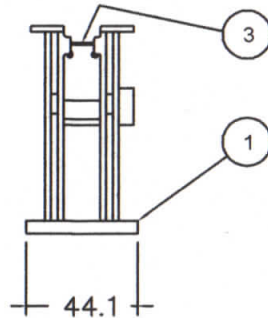
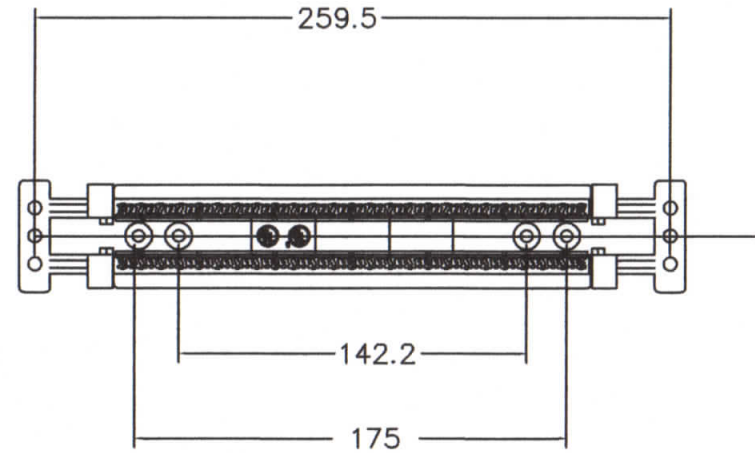
THE INFORMATION CONTAINED HEREON IS PROPRIETARY AND CONFIDENTIAL TO DYNACOM CORPORATION. AND SHALL NOT BE USED OR DISCLOSED, IN WHOLE OR IN PART WITHOUT FIRST OBTAINING THE WRITTEN PERMISSION OF DYNACOM CORPORATION.

ZONE	REF	DESCRIPTION	DATE	APPV.
-	A	INITIAL RELEASE	11/17/14	E.A.

NOTES:

1. MATERIAL: P.C.
2. PART TO BE FREE OF BURRS, SUCKS & SCRATCHES.
3. DRAFT ANGLE: 1°MAX.
4. ALL UNSPECIFIED CORNER, EDGE, OR FILLET BREAKS ARE TO BE 0.50mm MAXIMUM.

ITEM	DESCRIPTION	QTY	P/N
1	48 PR BASE WITH LEG	1	LP1340
2	24 PR INSERT	2	LP1019
3	INDEX HOLDER	1	110PH
4	110-CAT6 CONNECTING CLIP 610C-4 Connecting Clip not included	12	610C-4



e-mail.....sales@dynacomcorp.com
www.dynacomcorp.com

TOLS: -			
NEXT ASSY: -	DRAWN: E.A. 11/17/14	CHECKED: Pete Bach	
TITLE: 48 Pair Cat6 Wiring Block w/Legs		DWG. NO. 610AWB-48	REV. A

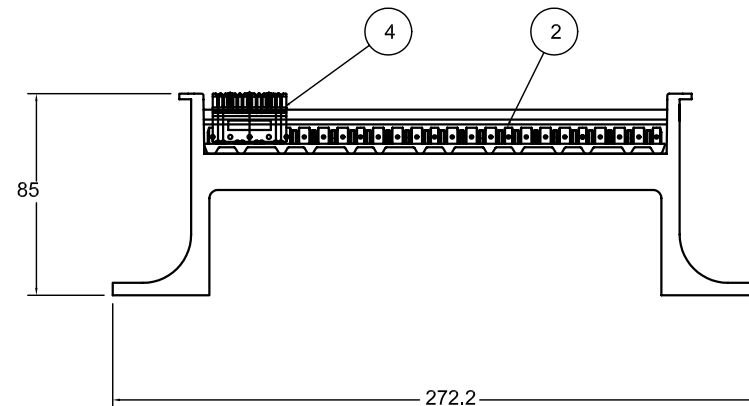
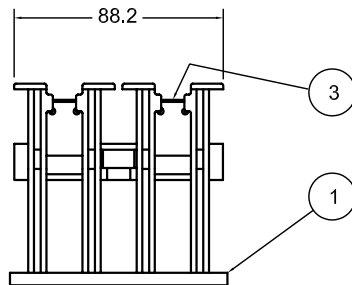
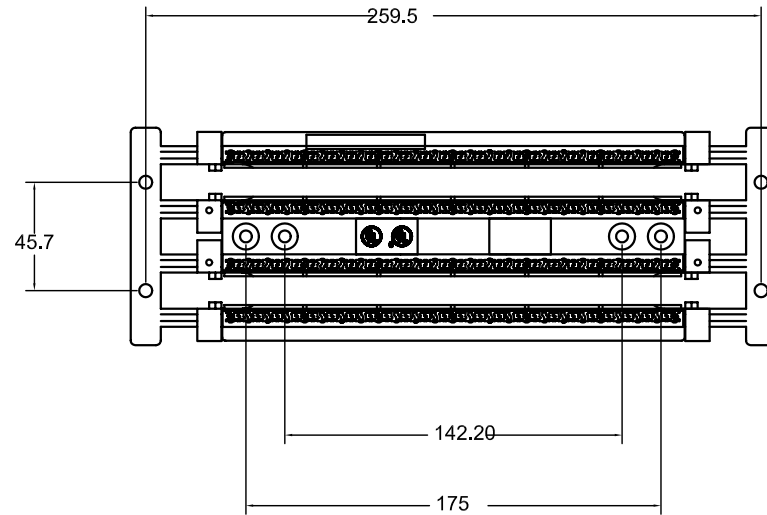
THE INFORMATION CONTAINED HEREON IS PROPRIETARY AND CONFIDENTIAL TO DYNACOM CORPORATION. AND SHALL NOT BE USED OR DISCLOSED, IN WHOLE OR IN PART WITHOUT FIRST OBTAINING THE WRITTEN PERMISSION OF DYNACOM CORPORATION.

ZONE	REF	DESCRIPTION	DATE	APPV.
-	A	INITIAL RELEASE	07/16/07	E.A.

NOTES:

1. MATERIAL: P.C.
2. PART TO BE FREE OF BURRS, SUCKS & SCRATCHES.
3. DRAFT ANGLE: 1°MAX.
4. ALL UNSPECIFIED CORNER, EDGE, OR FILLET BREAKS ARE TO BE 0.50mm MAXIMUM.

ITEM	DESCRIPTION	QTY	P/N
1	96 PR BASE WITH LEG	1	LP1340
2	24 PR INSERT	4	LP1019
3	INDEX HOLDER	4	110PH
4	110-CAT6 CONNECTING CLIP	48	610C-4

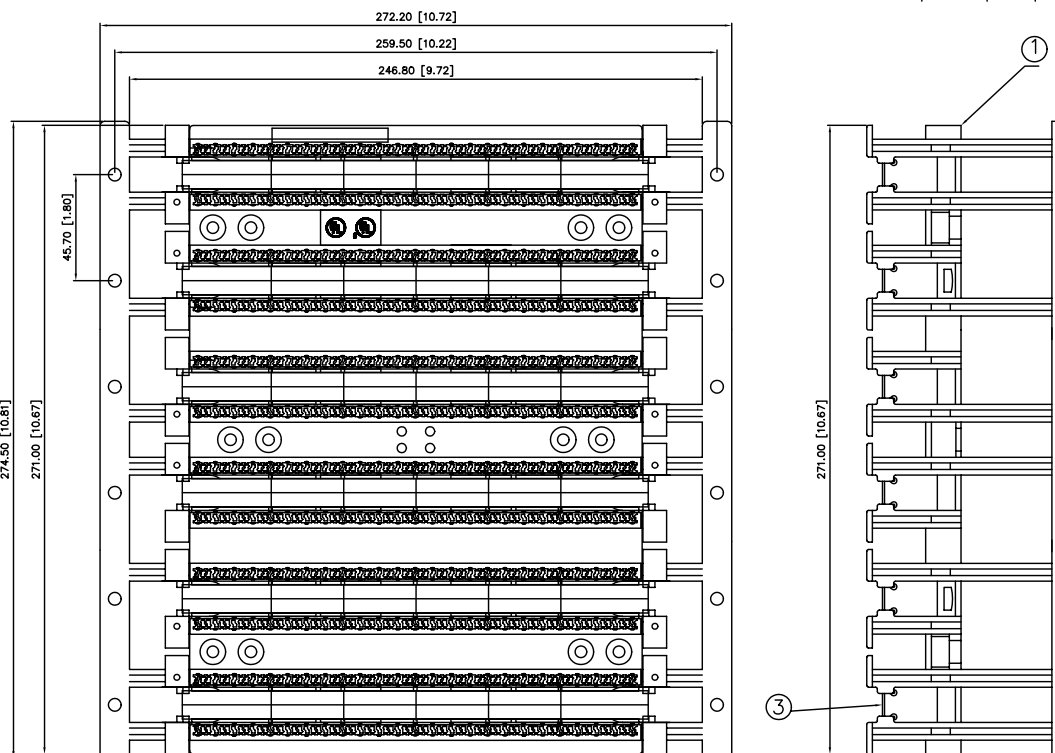


e-mail.....info@dynamcomcorp.com
 1366 San Mateo Ave Suite 201
 South San Francisco CA 94080

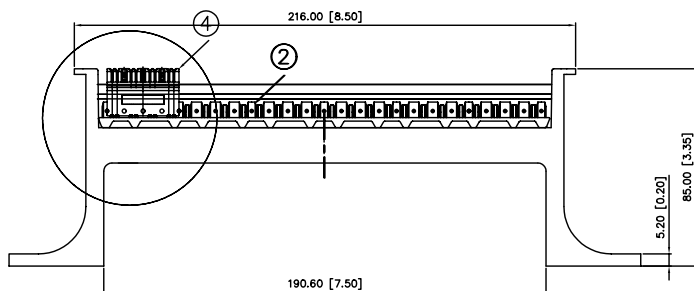
TOLS: -			
NEXT ASSY: -	DRAWN: E.A. 01/15/08	CHECKED: Pete Bach	
TITLE: 96 Pair Cat6 Wiring Block w/Legs		DWG. NO. 610AWB-96	REV. A

THE INFORMATION CONTAINED HEREON IS PROPRIETARY AND CONFIDENTIAL TO DYNACOM CORPORATION. AND SHALL NOT BE USED OR DISCLOSED, IN WHOLE OR IN PART WITHOUT FIRST OBTAINING THE WRITTEN PERMISSION OF DYNACOM CORPORATION.

ZONE	REF	DESCRIPTION	DATE	APPV.
-	A	INITIAL RELEASE	07/16/07	E.A.



ITEM	DESCRIPTION	QTY	P/N
1	300 PR BASE WITH LEG	1	LP1341
2	24 PR INSERT	12	LP1664
3	INDEX HOLDER	6	110PH
4	110-CAT6 CONNECTING CLIP	72	610C-4



NOTES:

- 1.MATERIAL: P.C.
2. PART TO BE FREE OF BURRS, SUCKS & SCRATCHES.
3. DRAFT ANGLE: 1°MAX.
4. ALL UNSPECIFIED CORNER, EDGE, OR FILLET BREAKS ARE TO BE 0.50mm MAXIMUM.



e-mail.....sales@dynacomcorp.com
 31082 San Antonio Street
 Hayward, CA 94544

TOLS: -			
NEXT ASSY: -	DRAWN: E.A. 01/15/08	CHECKED: Pete Bach	
TITLE: 288 Pair Cat6 Wiring Block w/Legs		DWG. NO. 610AWB-288	REV. A