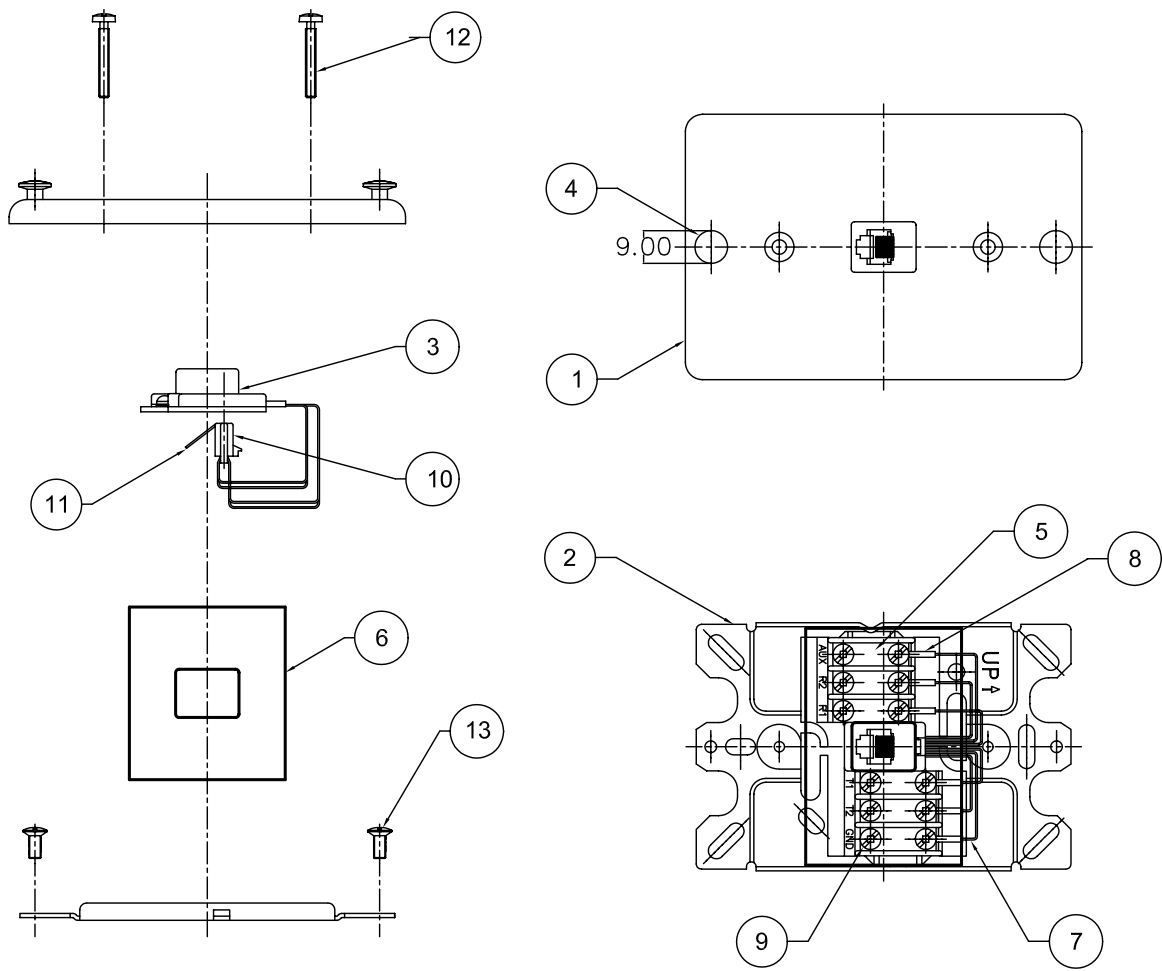


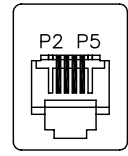
THE INFORMATION CONTAINED HEREON IS PROPRIETARY AND CONFIDENTIAL TO DYNACOM CORPORATION, AND SHALL NOT BE USED OR DISCLOSED, IN WHOLE OR IN PART, WITHOUT FIRST OBTAINING THE WRITTEN PERMISSION FROM DYNACOM CORPORATION.

ZONE	REV	DESCRIPTION	DATE	APPV.
-	A	RELEASED.	09/16/2008	E.A.

D
C
B
A



13	SCREW
12	SCREW
11	SPRING WIRE
10	INSERT
9	SCREW
8	TERMINAL
7	LEAD WIRE
6	FILM
5	RIVET
4	RIVET
3	JACK HOUSING
2	BRACKET
1	COVER
ITEM	DESCRIPTION



6P4C



e-mail.....sales@dynacomcorp.com
31082 San Antonio Street
Hayward, California 94544

Dimensions: mm - DO NOT SCALE DRAWING			
NEXT ASSY-	DRAWN: E.A.	CHECKED: E.A.	
TITLE: Wallphone Wallplate 6P4C SS w/Screw Termination	DWG. NO. 26630AD-4	SHEET 1 OF 1	REV. A

1

2

3

4