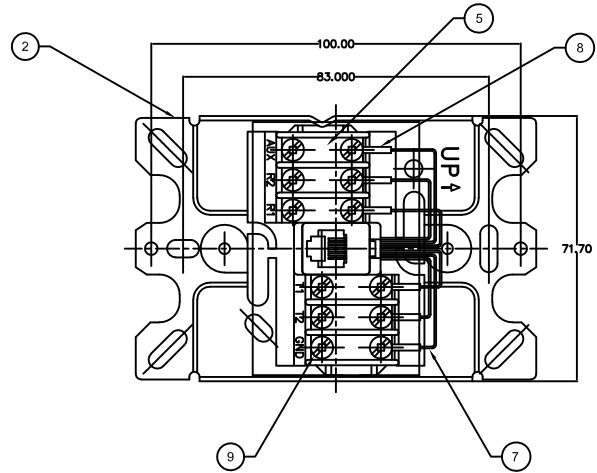
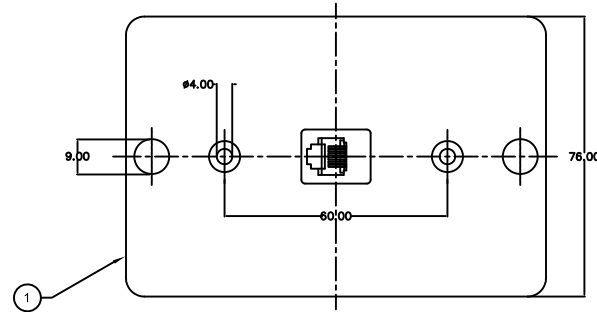
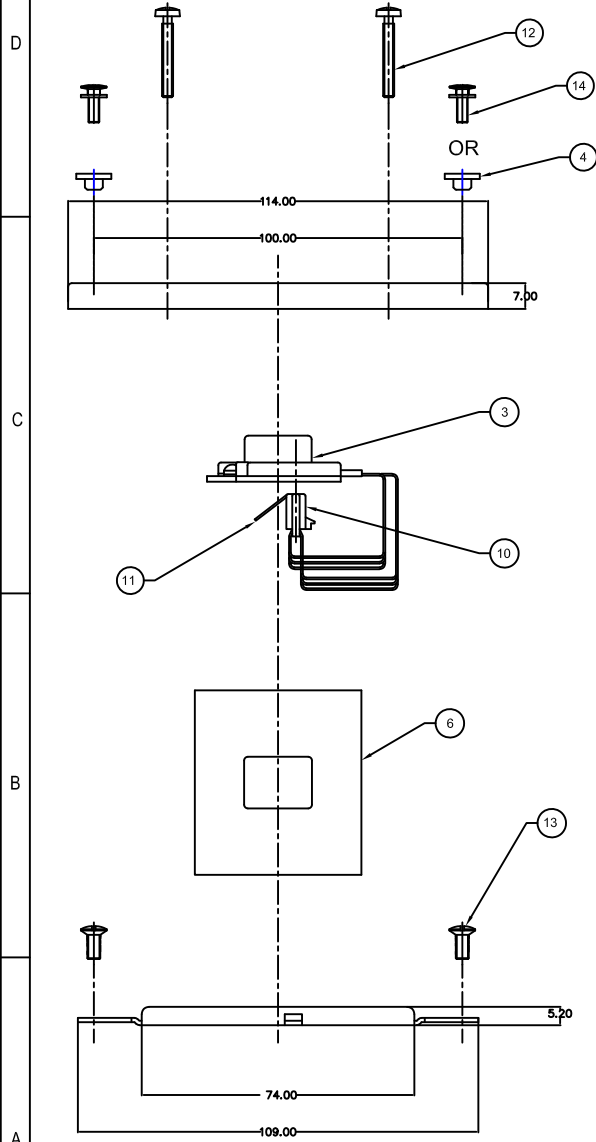


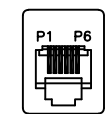
THE INFORMATION CONTAINED HEREON IS PROPRIETARY AND CONFIDENTIAL TO DYNACOM CORPORATION, AND SHALL NOT BE USED OR DISCLOSED, IN WHOLE OR IN PART, WITHOUT FIRST OBTAINING THE WRITTEN PERMISSION FROM DYNACOM CORPORATION.

ZONE	REV	DESCRIPTION	DATE	APPV.
-	A	REDREW DRAWING	09/16/2008	E.A.

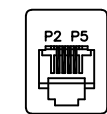


ITEM	QTY	DESCRIPTION	REMARK
14	2	SCREW	SAE 1010 (NICKEL PLATING)
13	2	SCREW	SAE 1010 (NICKEL PLATING)
12	2	SCREW	SAE 1010 (NICKEL PLATING)
11	4, 6	SPRING WIRE	30u" HARD GOLD OVER 100u" NICKEL
10	1	INSERT	ABS UL94V-0
9	8, 12	SCREW	SAE 1010 (NICKEL PLATING)
8	4, 6	TERMINAL	BRASS (TIN PLATING)
7	4, 6	LEAD WIRE	UL-1061
6	1	FILM	PVC
5	4, 6	RIVET	BRASS (TIN PLATING)
4	2	BLANK FILLER	ABS UL94V-0
3	1	JACK HOUSING	ABS UL94V-0
2	1	BRACKET	SAE 1010 (ZINC PLATING)
1	1	COVER	ABS UL94V-0

LOCATION	COLOR	LOCATION
GND	YELLOW	P5
T2	BLUE	P6
T1	GREEN	P4
R1	RED	P3
R2	WHITE	P1
AUX	BLACK	P2



6P6C



6P4C



e-mail.....sales@dynacomcorp.com  
 31082 San Antonio Street  
 Hayward, California 94544

Dimensions: mm		DRAWN: A.Z.		CHECKED: E.A.	
NEXT ASSY-		TITLE: Plastic Wallphone Wallplate		DWG. NO. SHEET 1 OF 1 26630AC-Y	
				REV. A	