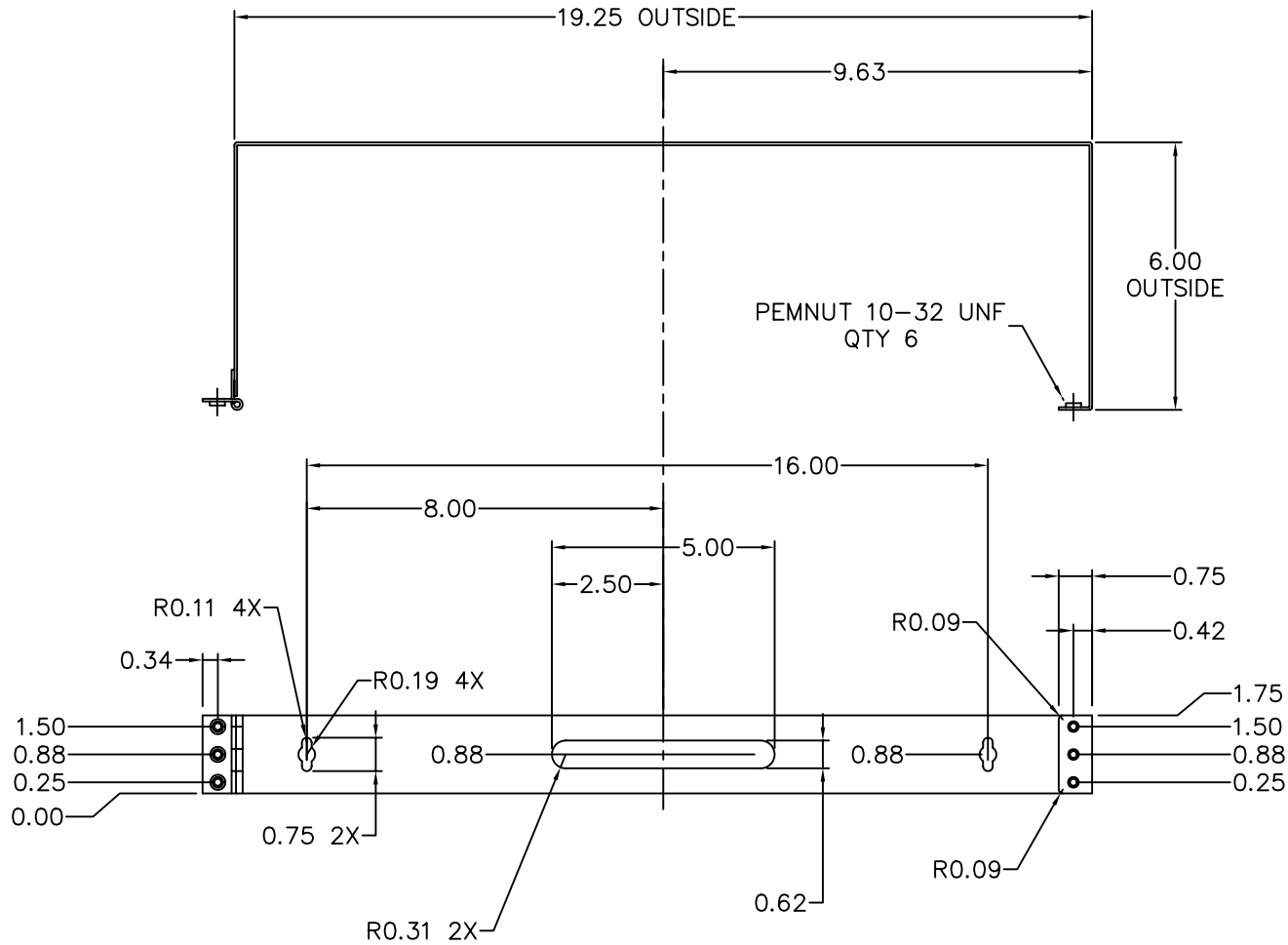


THE INFORMATION CONTAINED HEREON IS PROPRIETARY AND CONFIDENTIAL TO DYNACOM CORPORATION AND SHALL NOT BE USED OR DISCLOSED, IN WHOLE OR IN PART WITHOUT FIRST OBTAINING THE WRITTEN PERMISSION OF DYNACOM CORPORATION. SPECIFICATIONS ARE SUBJECT TO CHANGE WITHOUT NOTICE.

NOTES:

1. MATERIAL: 0.060 COLD ROLLED STEEL.
2. FINISH: POWDER COAT. COLOR-BLACK, TEXTURED.
3. HINGE-0.060 CRS, 3/4 X 3/4 X 0.125 PIN.



e-mail.....joet@dynacomcorp.com

1366 San Mateo Ave Suite 201
South San Francisco CA 94080

TOLS. .X=+/- 0.030, .XX=+/- 0.010, .XXX=+/-0.005, ANGLES=+/-0.5 DEG.

TITLE: HINGED WALL MOUNT
1.75

DWG. NO. SHEET 1 OF 1 REV.
2013-WB175

1

2

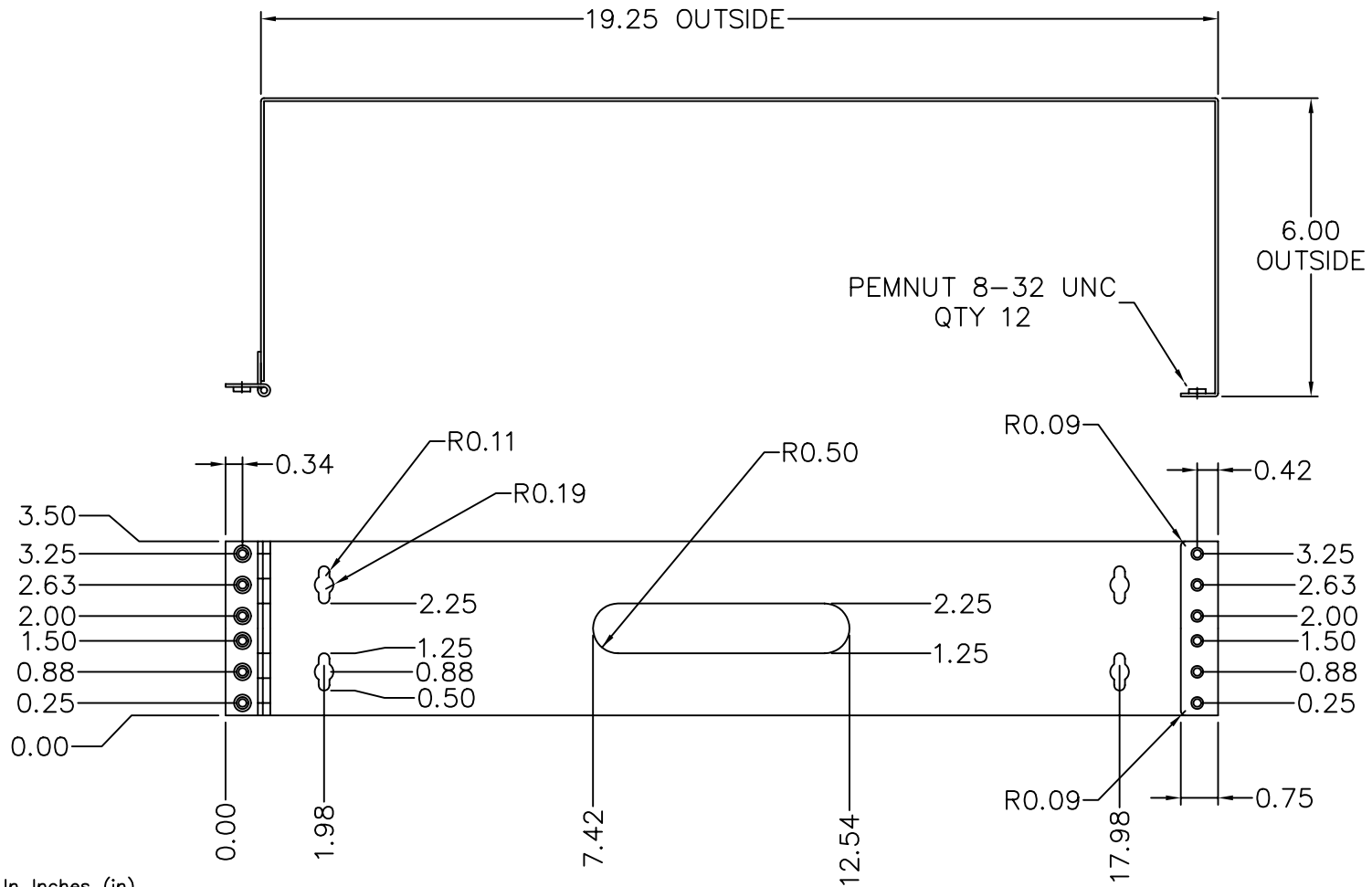
3

4

THE INFORMATION CONTAINED HEREON IS PROPRIETARY AND CONFIDENTIAL TO DYNACOM CORPORATION AND SHALL NOT BE USED OR DISCLOSED, IN WHOLE OR IN PART WITHOUT FIRST OBTAINING THE WRITTEN PERMISSION OF DYNACOM CORPORATION. SPECIFICATIONS ARE SUBJECT TO CHANGE WITHOUT NOTICE.

NOTES:

1. MATERIAL: 0.060 COLD ROLLED STEEL.
2. FINISH: POWDER COAT. COLOR-BLACK, TEXTURED.
3. HINGE-0.060 CRS, 3/4 X 3/4 X 0.125 PIN.



All Dimensions Are In Inches (in)



e-mail.....joet@dynacomcorp.com
 1366 San Mateo Ave Suite 201
 South San Francisco CA 94080

TITLE: HINGED WALL MOUNT
 BRACKET-3.50"x19"x6" DEEP

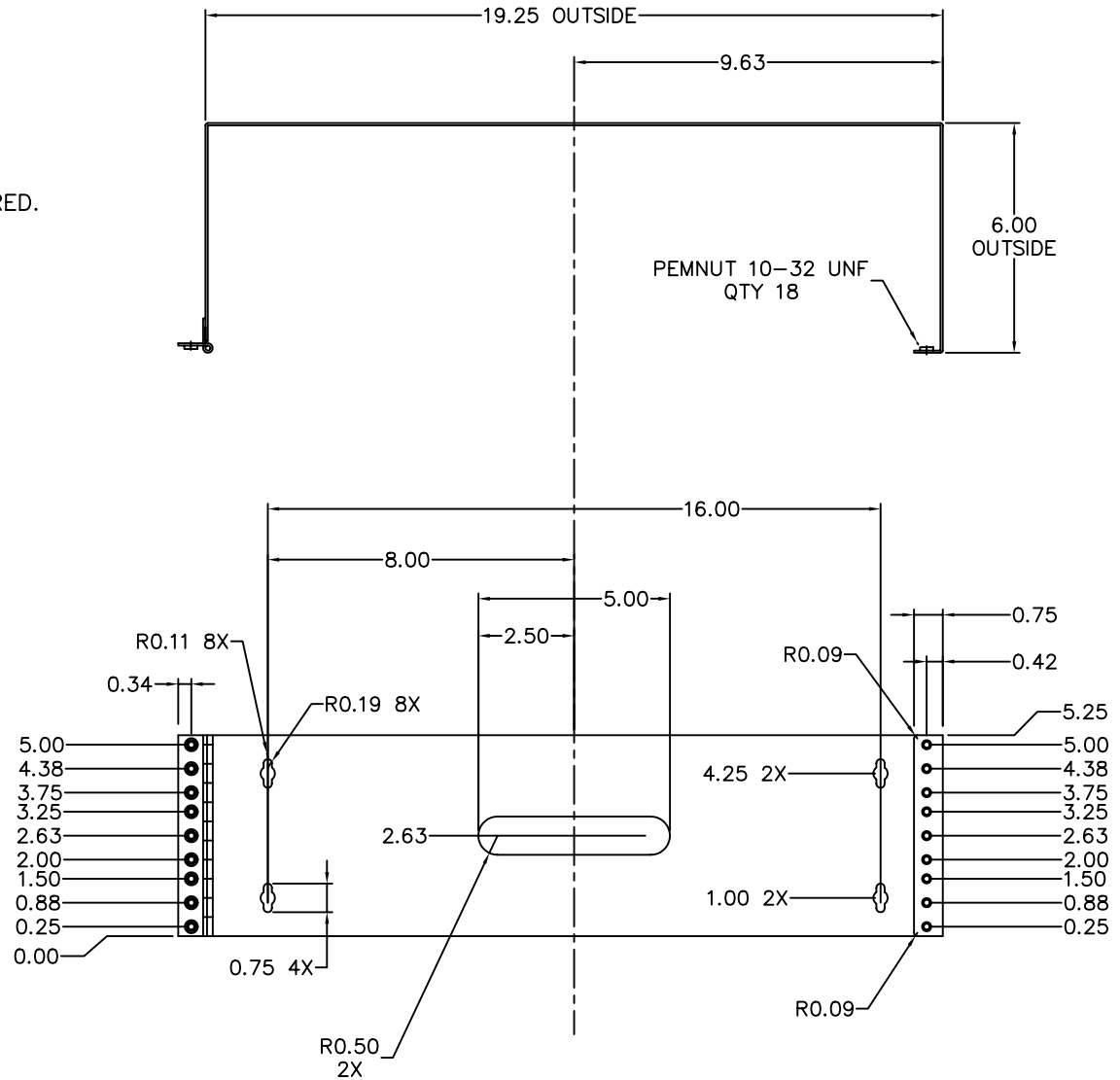
DWG. NO.
 2013-WB 3.50

REV.

THE INFORMATION CONTAINED HEREON IS PROPRIETARY AND CONFIDENTIAL TO DYNACOM CORPORATION AND SHALL NOT BE USED OR DISCLOSED, IN WHOLE OR IN PART WITHOUT FIRST OBTAINING THE WRITTEN PERMISSION OF DYNACOM CORPORATION. SPECIFICATIONS ARE SUBJECT TO CHANGE WITHOUT NOTICE.

NOTES:

1. MATERIAL: 0.060 COLD ROLLED STEEL.
2. FINISH: POWDER COAT. COLOR-BLACK, TEXTURED.
3. HINGE-0.060 CRS, 3/4 X 3/4 X 0.125 PIN.



e-mail.....joet@dynacomcorp.com

1366 San Mateo Ave Suite 201
South San Francisco CA 94080

TOLS. .X=+/- 0.030, .XX=+/- 0.010, .XXX=+/- .005, ANGLES=+/-0.5 DEG.

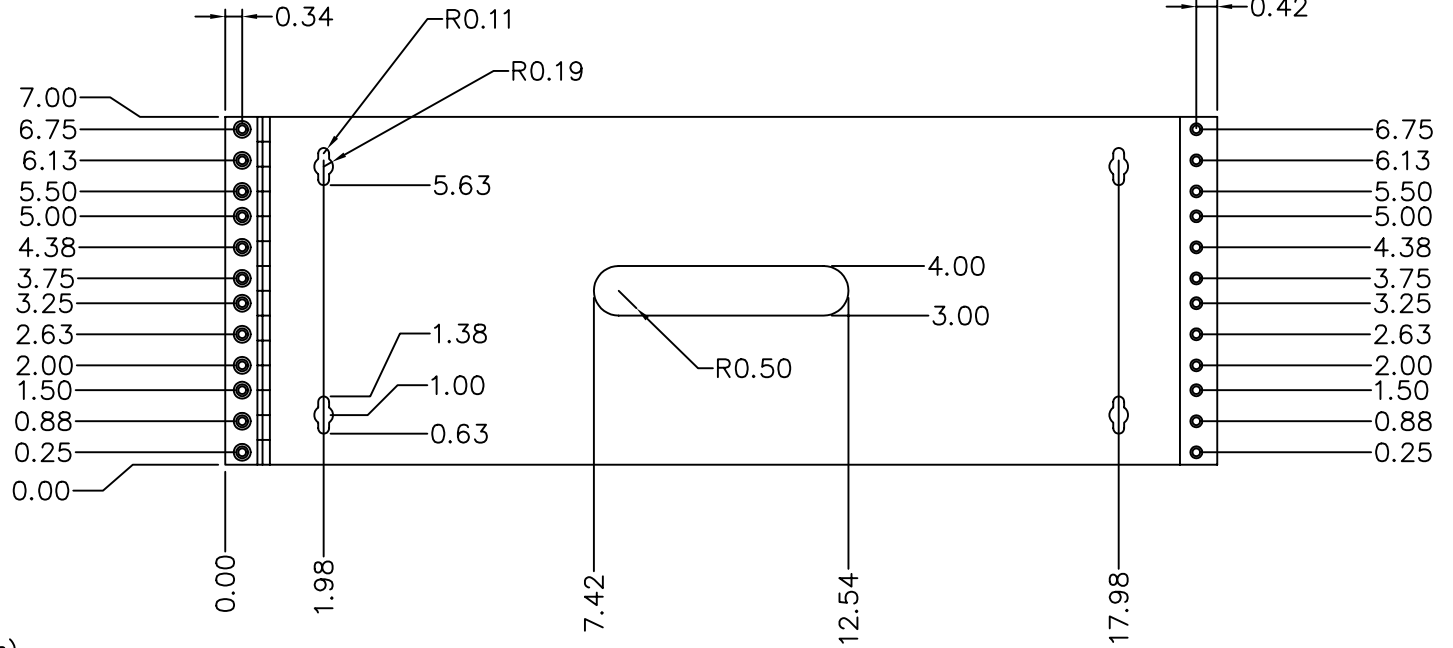
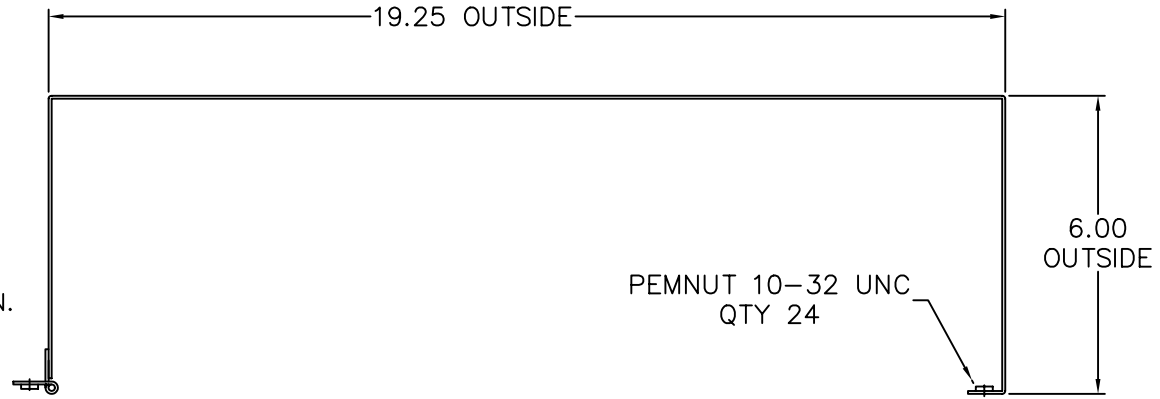
TITLE: HINGED WALL MOUNT
BRACKET-5.25

DWG. NO. SHEET 1 OF 1 REV.
2013-WB525

THE INFORMATION CONTAINED HEREON IS PROPRIETARY AND CONFIDENTIAL TO DYNACOM CORPORATION AND SHALL NOT BE USED OR DISCLOSED, IN WHOLE OR IN PART WITHOUT FIRST OBTAINING THE WRITTEN PERMISSION OF DYNACOM CORPORATION. SPECIFICATIONS ARE SUBJECT TO CHANGE WITHOUT NOTICE.

NOTES:

1. MATERIAL: 0.060 COLD ROLLED STEEL.
2. FINISH: POWDER COAT. COLOR-BLACK, TEXTURED.
3. HINGE-0.060 CRS, 3/4 X 3/4 X 0.125 PIN.
4. SOLONICS LOGO AS PER SAMPLE.



All Dimensions Are In Inches (in)



e-mail.....joet@dynacomcorp.com

1366 San Mateo Ave Suite 201
South San Francisco CA 94080

TITLE: HINGED WALL MOUNT
BRACKET-7.00"X19"X6" DEEP

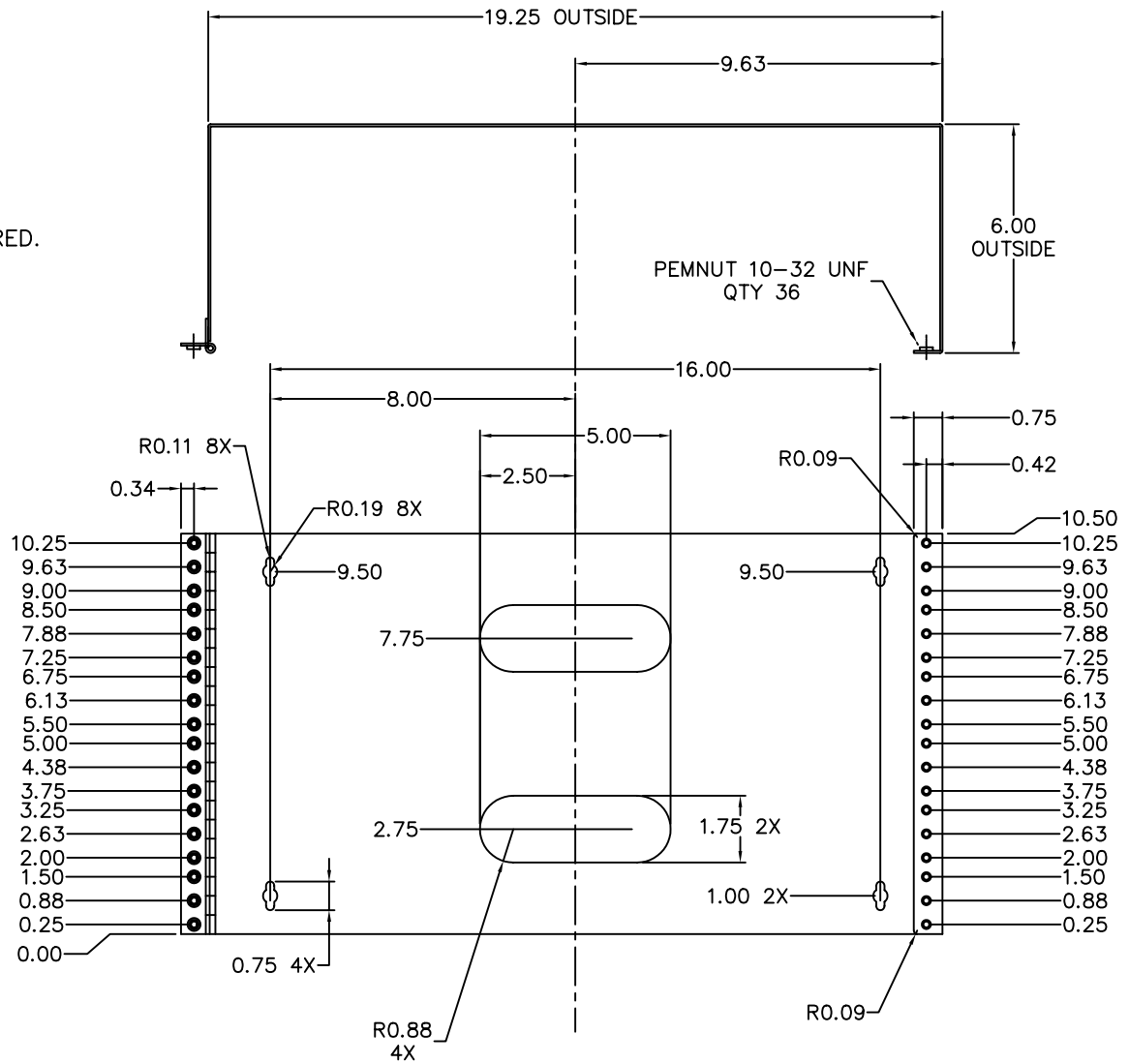
DWG. NO.
2013-WB700

REV.

THE INFORMATION CONTAINED HEREON IS PROPRIETARY AND CONFIDENTIAL TO DYNACOM CORPORATION AND SHALL NOT BE USED OR DISCLOSED, IN WHOLE OR IN PART WITHOUT FIRST OBTAINING THE WRITTEN PERMISSION OF DYNACOM CORPORATION.
 SPECIFICATIONS ARE SUBJECT TO CHANGE WITHOUT NOTICE.

NOTES:

1. MATERIAL: 0.060 COLD ROLLED STEEL.
2. FINISH: POWDER COAT. COLOR-BLACK, TEXTURED.
3. HINGE-0.060 CRS, 3/4 X 3/4 X 0.125 PIN.



e-mail.....joet@dynacomcorp.com
 1366 San Mateo Ave Suite 201
 South San Francisco CA 94080

TITLE: HINGED WALL MOUNT
 BRACKET- 10.50"x19"x6" DEEP

DWG. NO.
 2013-WB1050

REV.