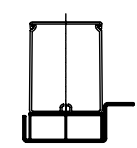
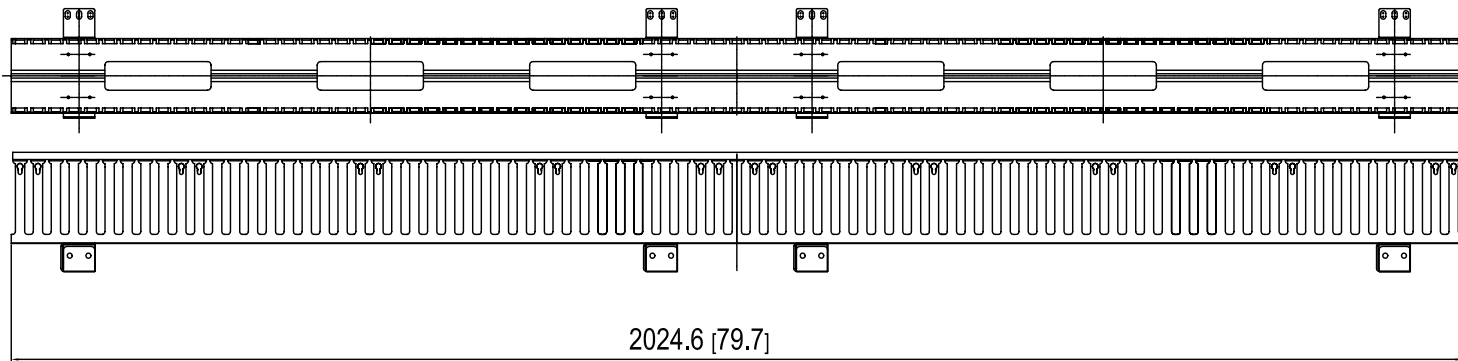


THE INFORMATION CONTAINED HEREON IS PROPRIETARY AND CONFIDENTIAL TO DYNACOM CORPORATION, AND SHALL NOT BE USED OR DISCLOSED, IN WHOLE OR IN PART, WITHOUT FIRST OBTAINING THE WRITTEN PERMISSION FROM DYNACOM CORPORATION.

ZONE	REV	DESCRIPTION	DATE	APPV.
-	A	RELEASED.	09/16/2008	E.A.



NOTES:

- , PLASTIC  
MATERIAL : PVC BLACK (ROHS)
- , BRACKET
  1. MATERIAL: 2.0 mm CRS
  2. FINISH: BLACK POWDER COATED,



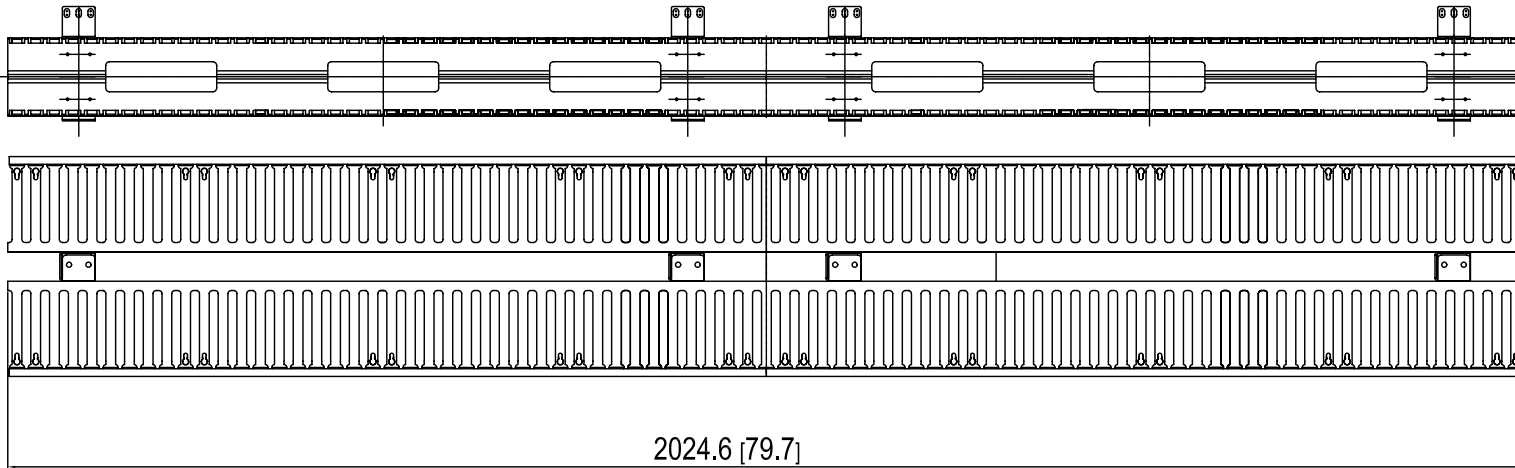
e-mail.....sales@dynacomcorp.com  
 31082 San Antonio Street  
 Hayward, California 94544

Dimensions: mm - DO NOT SCALE DRAWING

NEXT ASSY-	DRAWN: E.A.	CHECKED: E.A.
TITLE: <b>Verticle Finger Duct w/Hinged Cover</b>	DWG. NO. <b>2016-FDV1</b>	SHEET 1 OF 1 REV. <b>A</b>

THE INFORMATION CONTAINED HEREON IS PROPRIETARY AND CONFIDENTIAL TO DYNACOM CORPORATION, AND SHALL NOT BE USED OR DISCLOSED, IN WHOLE OR IN PART, WITHOUT FIRST OBTAINING THE WRITTEN PERMISSION FROM DYNACOM CORPORATION.

ZONE	REV	DESCRIPTION	DATE	APPV.
-	A	RELEASED.	09/16/2008	E.A.



NOTES:

- , PLASTIC  
MATERIAL : PVC BLACK (ROHS)
- , BRACKET
  1. MATERIAL: 2.0 mm CRS
  2. FINISH: BLACK POWDER COATED,



e-mail.....sales@dynacomcorp.com  
 31082 San Antonio Street  
 Hayward, California 94544

Dimensions: mm - DO NOT SCALE DRAWING

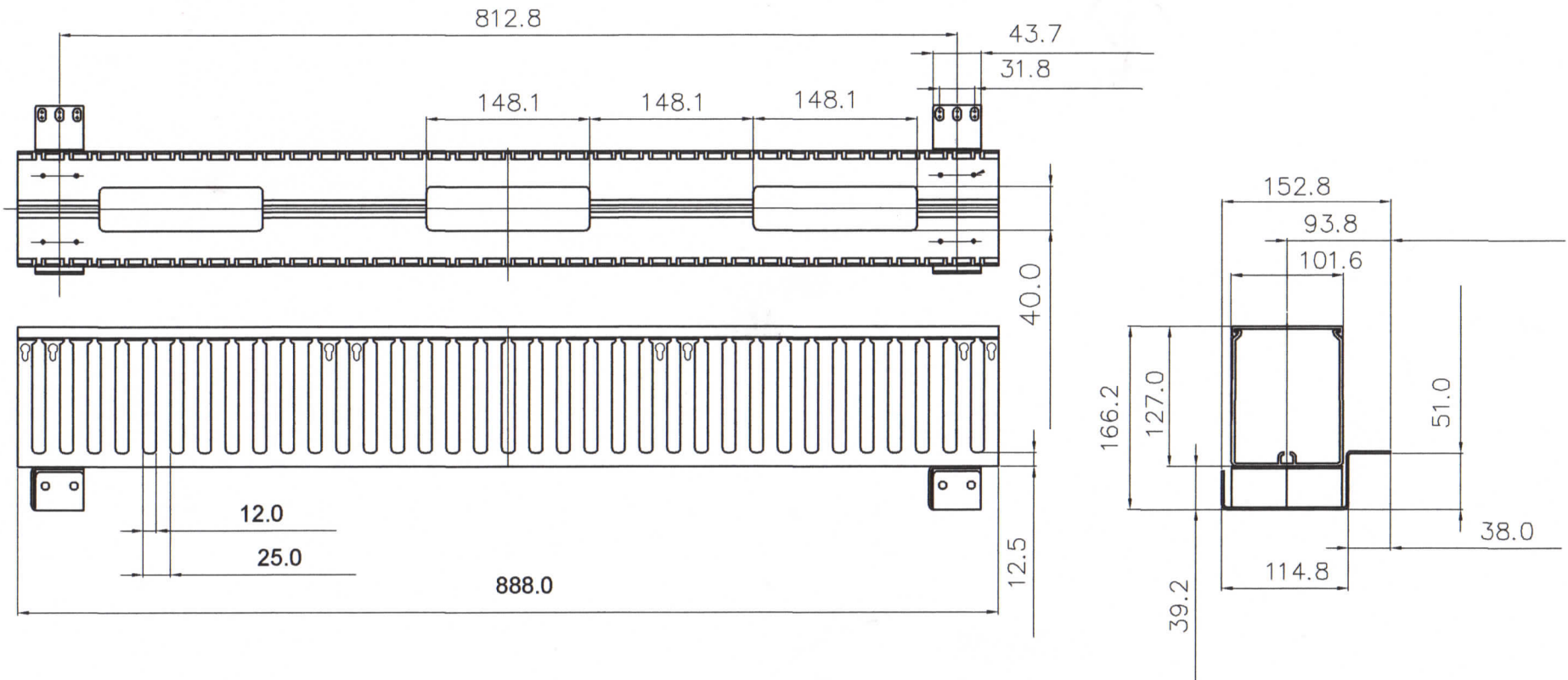
NEXT ASSY-	DRAWN: E.A.	CHECKED: E.A.
TITLE: <b>Verticle Finger Duct w/Hinged Cover</b>	DWG. NO. <b>2016-FDV2</b>	SHEET 1 OF 1 REV. <b>A</b>

THE INFORMATION CONTAINED HEREON IS PROPRIETARY AND CONFIDENTIAL TO DYNACOM CORPORATION. AND SHALL NOT BE USED OR DISCLOSED, IN WHOLE OR IN PART WITHOUT FIRST OBTAINING THE WRITTEN PERMISSION OF DYNACOM CORPORATION.

ZONE	REV	DESCRIPTION	DATE	APPV.
-	A	INITIAL RELEASE	07/20/11	E.A.

NOTES:

1. PLASTIC  
PVC BLACK ( ROHS )
2. BRACKET  
MATERIAL: 2.0 mm CRS  
FINISH: BLACK POWDER COATED.



e-mail.....sales@dynamcomcorp.com  
web .....www.dynamcomcorp.com

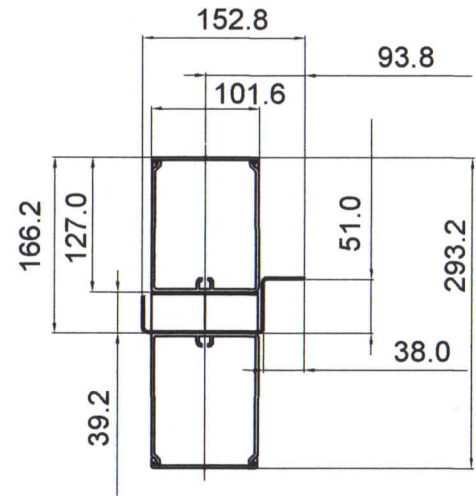
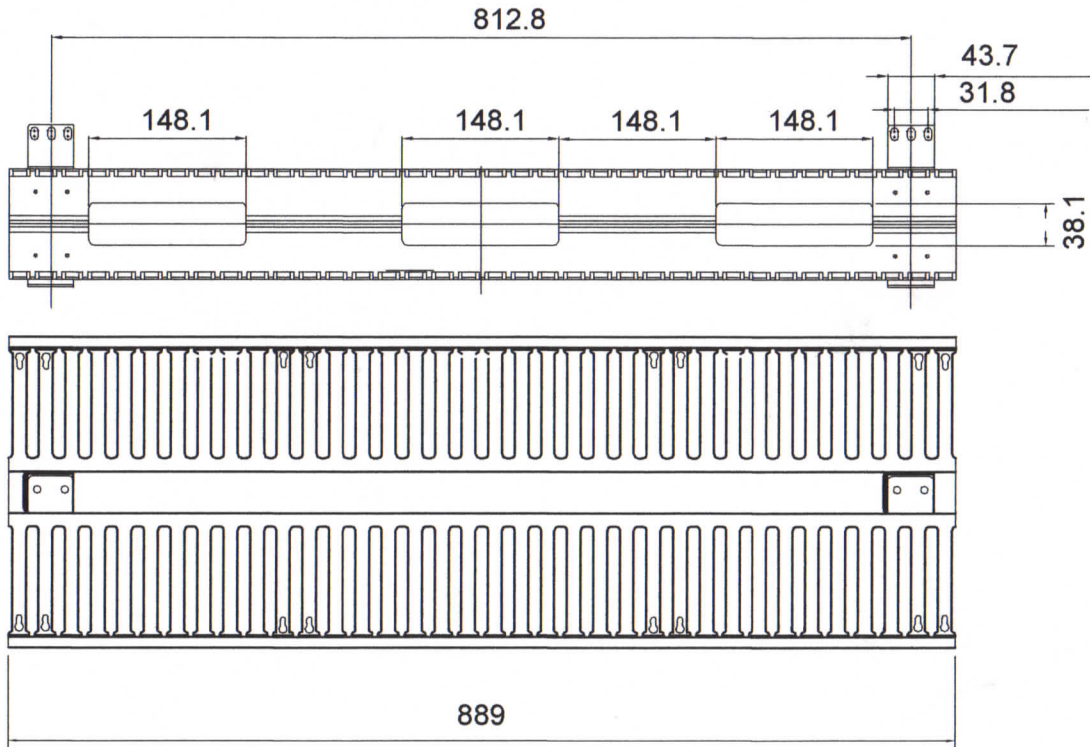
TOLS:			
NEXT ASSY: -	DRAWN: E.A. 07/20/11	CHECKED: -	
TITLE: 35" Finger Duct Sgl-Sided, Vertical		DWG. NO. 2016-FDV3	REV. A

THE INFORMATION CONTAINED HEREON IS PROPRIETARY AND CONFIDENTIAL TO DYNACOM CORPORATION. AND SHALL NOT BE USED OR DISCLOSED, IN WHOLE OR IN PART WITHOUT FIRST OBTAINING THE WRITTEN PERMISSION OF DYNACOM CORPORATION.

ZONE	REV	DESCRIPTION	DATE	APPV.
-	A	INITIAL RELEASE	08-11-2011	E.A.

**NOTES:**

- MATERIAL: 16 GAUGE CRS  
WIRING DUCT: PVC BLACK(VD-9.7)**
- FINISH: BLACK POWDER COATED, CARDINAL FINISH,  
BREAK SHARP CORNERS AND EDGES.**
- INCLUDES 2 HINGED COVERS.**



e-mail.....sales@dynacomcorp.com  
web .....www.dynacomcorp.com

DIMENSIONS ARE SHOWN IN MILIMETERS.

NEXT ASSY: -	DRAWN: E.A. 08/01/2011	CHECKED: -
35" Finger Duct Dbl-Sided, Vertical		DWG. NO. 2016-FDV4
		REV. A