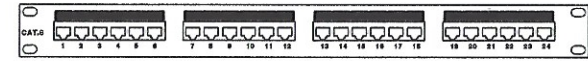
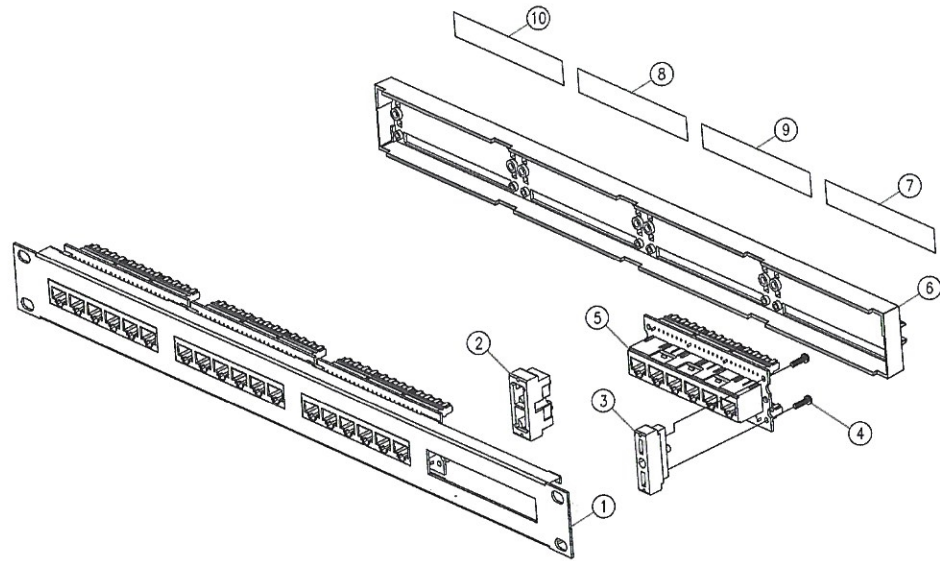
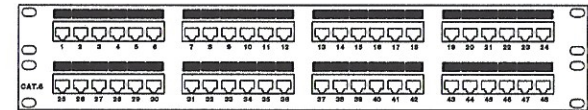


1 THE INFORMATION CONTAINED HEREON IS PROPRIETARY AND CONFIDENTIAL TO DYNACOM CORPORATION. AND SHALL NOT BE USED OR DISCLOSED, IN WHOLE OR IN PART WITHOUT FIRST OBTAINING THE WRITTEN PERMISSION OF DYNACOM CORPORATION. SPECIFICATIONS SUBJECT TO CHANGE WITHOUT NOTICE.

ZONE	REV.	DESCRIPTION	DATE	APPV.
-	A	INITIAL RELEASE	07/27/2017	E.A.



24-Port Cat6 1RU Patch Panel



48-Port Cat6 2RU Patch Panel

NO	PARTS NAME	QTY	
		24P	48P
①	FRONT PANEL (1.5mm FE)	1	1
②	SUPPORT	3	3
③	SUPPORT	2	2
④	SCREW (M3X8)	16	32
⑤	HOUSING MODULAR	4	8
	6 PORT HOUSING	1	1
	PCB	4	8
	INSERT	24	48
	IDC	24	48
⑥	BACK COVER	1	2
⑦	STICK LABEL FOR WIRING	4	8



e-mail...sales@dynacomcorp.com
www.dynacomcorp.com

TOLS ~ 20MM ± 0.2MM, OVER 20MM TO 60MM ± 0.4MM, OVER 60MM ± 0.8MM. ANGLES ± 1 DEG

NEXT ASSY: -

DRAWN: E.A. 07/27/2017

CHECKED: EA

TITLE

24/48 Port Cat6 Patch Panel

DWG. NO.

2013-XXC6EA

SHEET 1 OF 1

REV.

A