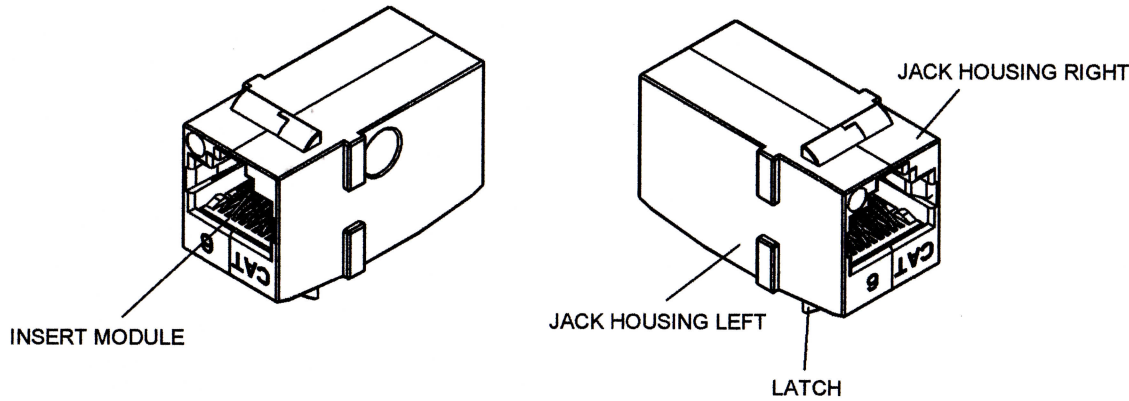


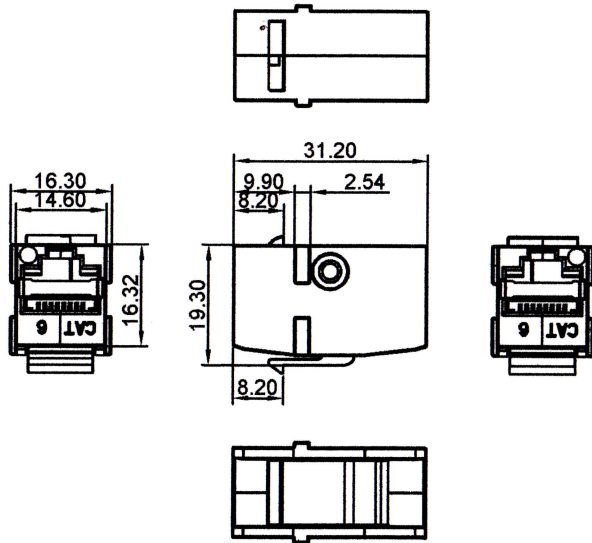
THE INFORMATION CONTAINED HEREON IS PROPRIETARY AND CONFIDENTIAL TO DYNACOM CORPORATION. AND SHALL NOT BE USED OR DISCLOSED, IN WHOLE OR IN PART WITHOUT FIRST OBTAINING THE WRITTEN PERMISSION OF DYNACOM CORPORATION.

ZONE	REV.	DESCRIPTION	DATE	APPV.
-	A	INITIAL RELEASE	10/20/2014	E.A.

ISOMETRIC VIEW



ASSEMBLY DIMENSION



COMPONENTS		
ITEM	PART NAME	Q'TY
4	LATCH	1
3	INSERT MODULE	2
2	JACK HOUSING LEFT	1
1	JACK HOUSING RIGHT	1

Transmission Performance:
Meets all requirements specified in channel requirements of:
ANSI/TIA-568-C.2, Category 6

ELECTRICAL
Electrical Insulation Resistance: 500 Megaohms min. @ 100V d.c.
Dielectric Withstanding Voltage: 1000V d.c. or a.c. Peak Contact to Contact @ 60Hz for 1 minute, 1500V d.c. or a.c. Peak Contact to Panel @ 60Hz for 1 minute

MECHANICAL
Retention: 50N (11 lbf) for 60si05s
Insertion / Extraction Life: 750 Cycles Minimum
PHYSICAL
Housing: Zinc-alloy fully shielded
Spring Wire: Phosphor Bronze Alloy Plated With 50 micro-inch of Gold Over 70~100 micro-inch of Nickel

TOLS ~ 20MM ± 0.2MM, OVER 20MM TO 60MM ± 0.4MM, OVER 60MM ± 0.8MM. ANGLES ± 1 DEG

NEXT ASSY: -	DRAWN: E.A. 10/20/2014	CHECKED: EA
TITLE Data Coupler, Cat6, Shielded		DWG. NO. SHEET 1 OF 1 17159-C6S
		REV. A



e-mail...sales@dynamcomcorp.com
www.dynamcomcorp.com