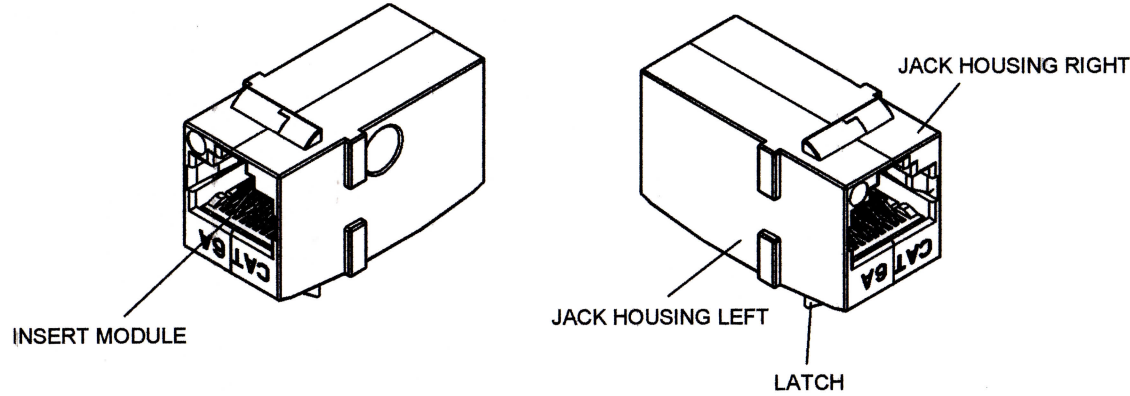


THE INFORMATION CONTAINED HEREON IS PROPRIETARY AND CONFIDENTIAL TO DYNACOM CORPORATION, AND SHALL NOT BE USED OR DISCLOSED, IN WHOLE OR IN PART WITHOUT FIRST OBTAINING THE WRITTEN PERMISSION OF DYNACOM CORPORATION.

ZONE	REV.	DESCRIPTION	DATE	APPV.
-	A	INITIAL RELEASE	10/20/2014	E.A.

ISOMETRIC VIEW



Transmission Performance:
 Meets all requirements specified in channel requirement of:
 ISO/IEC 11801, Class E_A
 ANSI/TIA-568-C.2, Category 6A

ELECTRICAL

Electrical Insulation Resistance: 500 Megaohms min. @ 100V d.c.
 Dielectric Withstanding Voltage: 1000V d.c. or a.c. Peak Contact to Contact @ 60Hz for 1 minute, 1500V d.c. or a.c. Peak Contact to Panel @ 60Hz for 1 minute

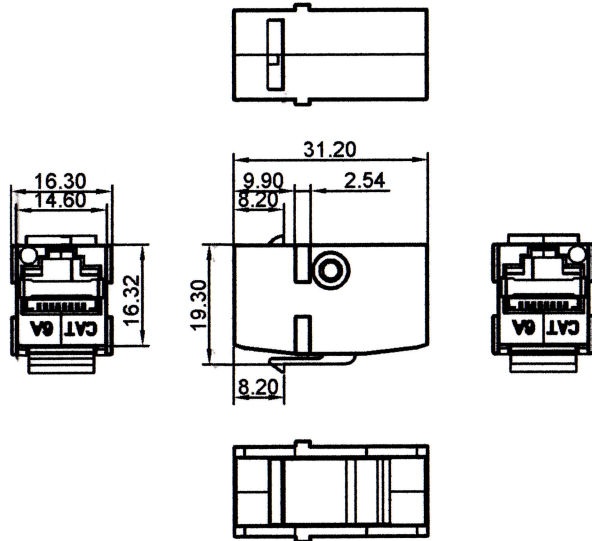
MECHANICAL

Retention: 50N (11 lbf) for 60si05s
 Insertion / Extraction Life: 750 Cycles Minimum

PHYSICAL

Housing: Zinc-alloy fully shielded
 Spring Wire: Phosphor Bronze Alloy Plated With 50 micro-inch of Gold Over 70~100 micro-inch of Nickel

ASSEMBLY DIMENSION



COMPONENTS

ITEM	PART NAME	QTY
4	LATCH	1
3	INSERT MODULE	2
2	JACK HOUSING LEFT	1
1	JACK HOUSING RIGHT	1

TOLS ~ 20MM ± 0.2MM, OVER 20MM TO 60MM ± 0.4MM, OVER 60MM ± 0.8MM. ANGLES ± 1 DEG

NEXT ASSY: -	DRAWN: E.A. 10/20/2014	CHECKED: EA
TITLE	Data Coupler, Cat6A, Shielded	DWG. NO. 17159-C6AS
		SHEET 1 OF 1
		REV. A



e-mail...sales@dynamcomcorp.com
 www.dynamcomcorp.com