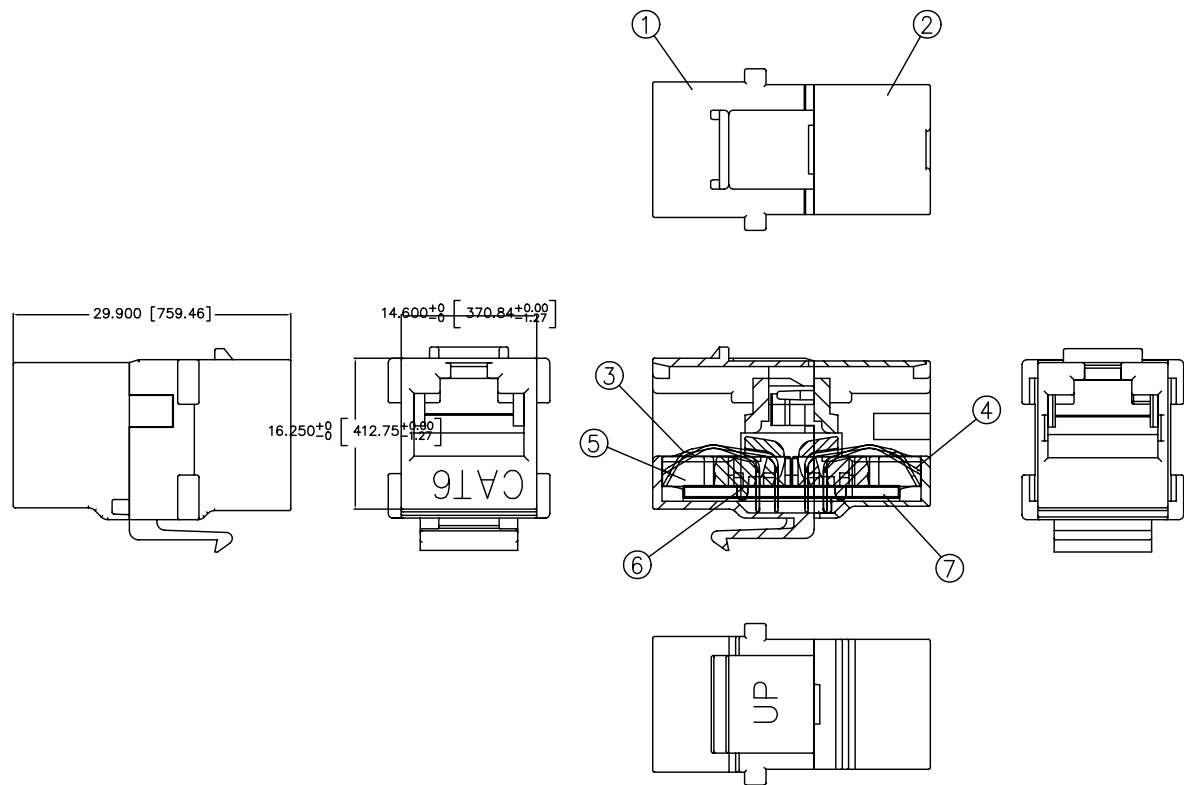


THE INFORMATION CONTAINED HEREON IS PROPRIETARY AND CONFIDENTIAL TO DYNACOM CORPORATION, AND SHALL NOT BE USED OR DISCLOSED, IN WHOLE OR IN PART, WITHOUT FIRST OBTAINING THE WRITTEN PERMISSION FROM DYNACOM CORPORATION.

ZONE	REV	DESCRIPTION	DATE	APPV.
-	A	RELEASED.	09/10/2008	E.A.



TRANSMISSION PERFORMANCE
 NEXT:MEET ALL REQUIREMENTS SPECIFIED
 IN TIA/EIA-568-B.2-1 CATEGORY 6
 Return Loss:MEET ALL REQUIREMENTS SPECIFIED
 IN TIA/EIA-568-B.2-1 CATEGORY 6

Environmental Conditions
 TEMPERATURE RANGE
 STORAGE -40 to +70°C
 OPERATIONAL -10 to +60°C
 RELATIVE HUMIDITY (OPERATIONAL)
 MAXIMUM NONCONDENSING 93%

ELECTRICAL:
 ELECTRICAL INSULATION RESISTANCE:10
 MEGAOHMS MIN.
 DIELECTRIC WITHSTANDING VOLTAGE:1,000
 VOLTS,RMS,60HZ,1 MIN.
 CONTACT RESISTANCE:20 MILLIOHMS MAX.
 CURRENT RATING:1.5 AMPS AT 20°C

MECHANICAL:
 TOTAL MATING FORCE: 800 GRAMS FOR A
 8 WIRE LEADS MINIMUM.
 RETENTION:30 LBS MIN BETWEEN THE JACK
 AND PLUG.
 INSERTION/EXTRACTION LIFE:700 CYCLES
 MINIMUM.

PHYSICAL:
 HOUSING:HIGH-IMPACT,FLAME-RETARDANT
 PLASTIC,UL94V-0 RATED.
 SPRING WIRE/CONTACT BLADES:
 MATERIAL: PHOSPHOR BRONZE ALLOY.
 PLATING:24 KARAT HARD GOLD(50 MICRO
 INCH PLATING THICKNESS)OVER 100 MICRO
 INCH NICKEL.

⑦	PCB	1
⑥	INSERT BASE	1
⑤	INSERT COVER	1
④	TERMINAL (DOWN)	1
③	TERMINAL (UP)	1
②	REAR HOUSING	1
①	FRONT HOUSING	1
NO.	Description	Q'TY



e-mail.....sales@dynamocorp.com
 31082 San Antonio Street
 Hayward, California 94544

Dimensions: mm - DO NOT SCALE DRAWING			
NEXT ASSY-	DRAWN: A.L. 12/06/2005	CHECKED: E.A.	
TITLE:	Cat6 Data Coupler	DWG. NO. SHEET 1 OF 1 17159-C6-XX	REV. A