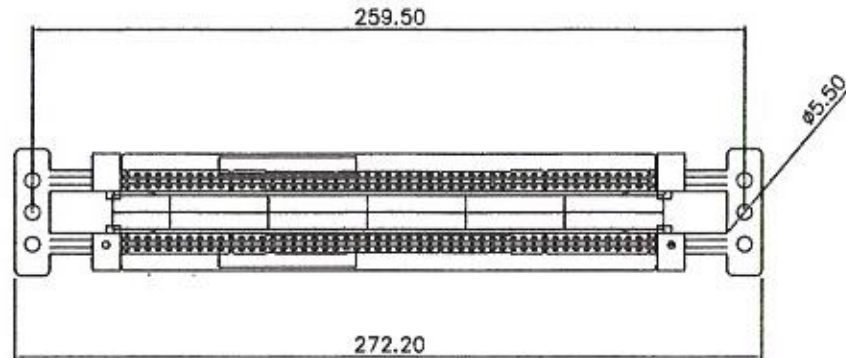
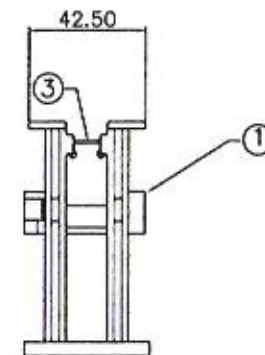
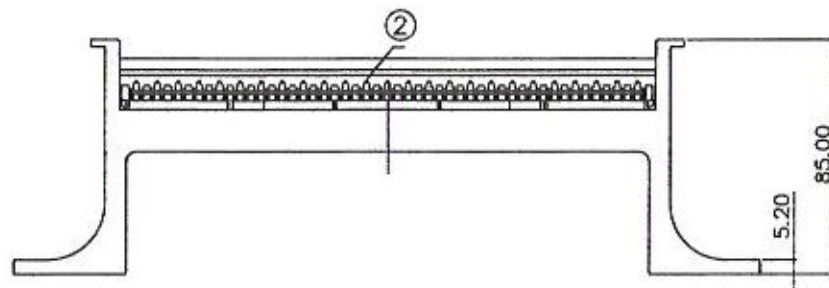


THE INFORMATION CONTAINED HEREON IS PROPRIETARY AND CONFIDENTIAL TO DYNACOM CORPORATION. AND SHALL NOT BE USED OR DISCLOSED, IN WHOLE OR IN PART WITHOUT FIRST OBTAINING THE WRITTEN PERMISSION OF DYNACOM CORPORATION.

| ZONE | REV | DESCRIPTION                                | DATE     | APPV. |
|------|-----|--|----------|-------|
| -    | A   | INITIAL RELEASE                            | 06/07/07 | E.A.  |
| C4   | B   | ITEM 2 WAS 25 PAIR INSERT, QTY: 2, P/N: -. | 02/25/15 | E.A.  |



| ITEM | PARTS DESCRIPTION   | QTY | P/N       |
|------|---------------------|-----|-----------|
| 1    | 50 PR BASE WITH LEG | 1   | 110AWB-50 |
| 2    | DESI STRIP-WHITE    | 1   | 110PS     |
| 3    | INDEX HOLDER        | 1   | 110PH     |



e-mail.....sales@dynacomcorp.com

www.dynacomcorp.com

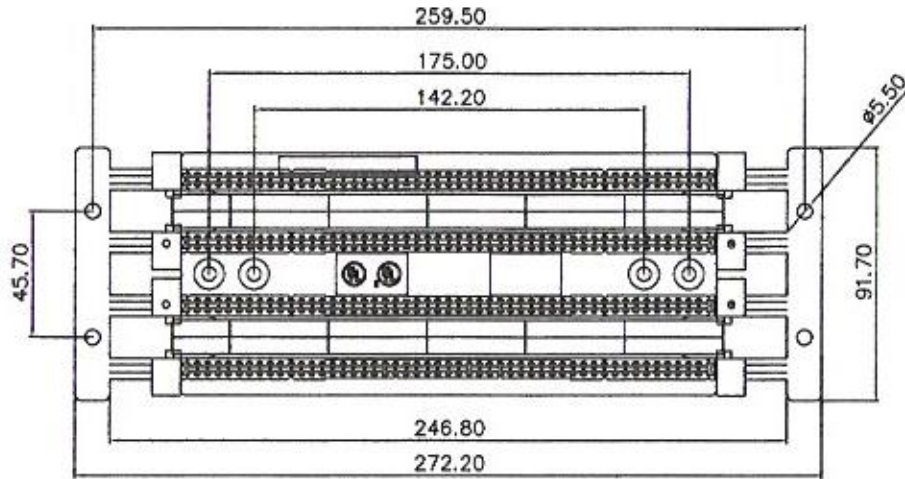
ALL DIMENSIONS SHOWN ARE IN MM.

|   |                      |               |
|---|----------------------|---------------|
| NEXT ASSY: -                              | DRAWN: E.A. 06/07/07 | CHECKED: J.T. |
| TITLE: 50-Pair w/Legs (w/o Cable Entries) | DWG. NO. 110AWB-50   | REV. B        |

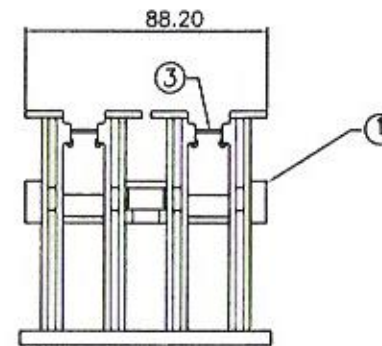
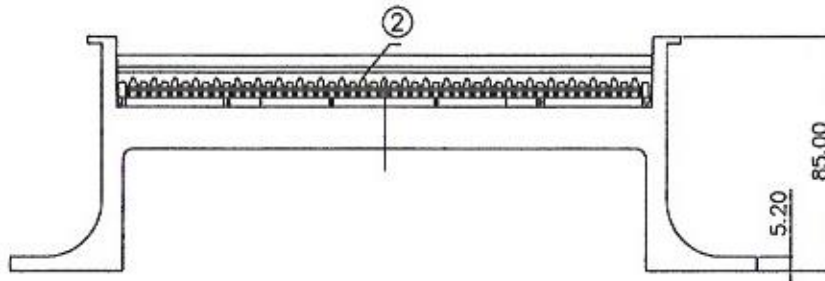
1 2

THE INFORMATION CONTAINED HEREON IS PROPRIETARY AND CONFIDENTIAL TO DYNACOM CORPORATION. AND SHALL NOT BE USED OR DISCLOSED, IN WHOLE OR IN PART WITHOUT FIRST OBTAINING THE WRITTEN PERMISSION OF DYNACOM CORPORATION.

| ZONE | REV | DESCRIPTION                               | DATE     | APPV. |
|------|-----|---|----------|-------|
| -    | A   | INITIAL RELEASE                           | 03/28/06 | E.A.  |
| C4   | B   | 110-100FT was 110-50FT.                   | 02/24/15 | E.A.  |
| C4   | C   | CHANGED PARTS DESCRIPTION AND QUANTITIES. | 02/25/15 | E.A.  |



| ITEM | PARTS DESCRIPTION    | QTY | P/N        |
|------|----------------------|-----|------------|
| 1    | 100 PR BASE WITH LEG | 1   | 110AWB-100 |
| 2    | DESI STRIP-WHITE     | 2   | 110PS      |
| 3    | INDEX HOLDER         | 2   | 110PH      |



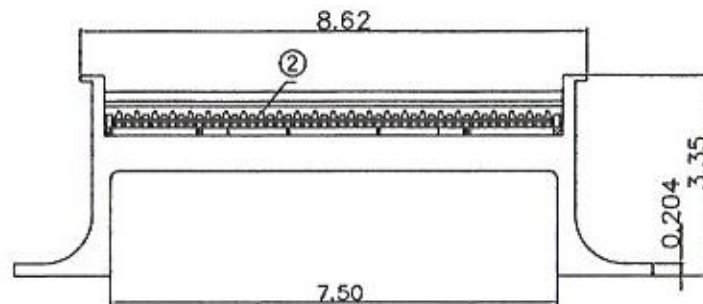
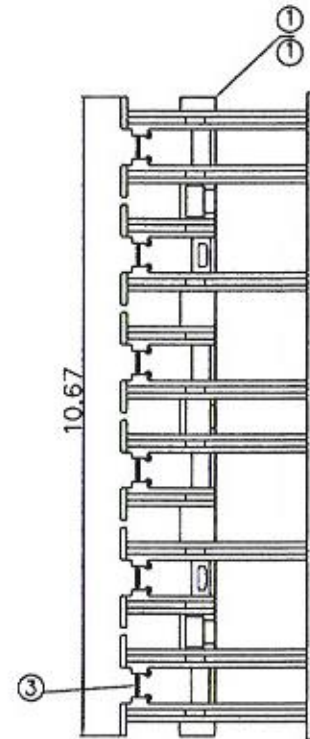
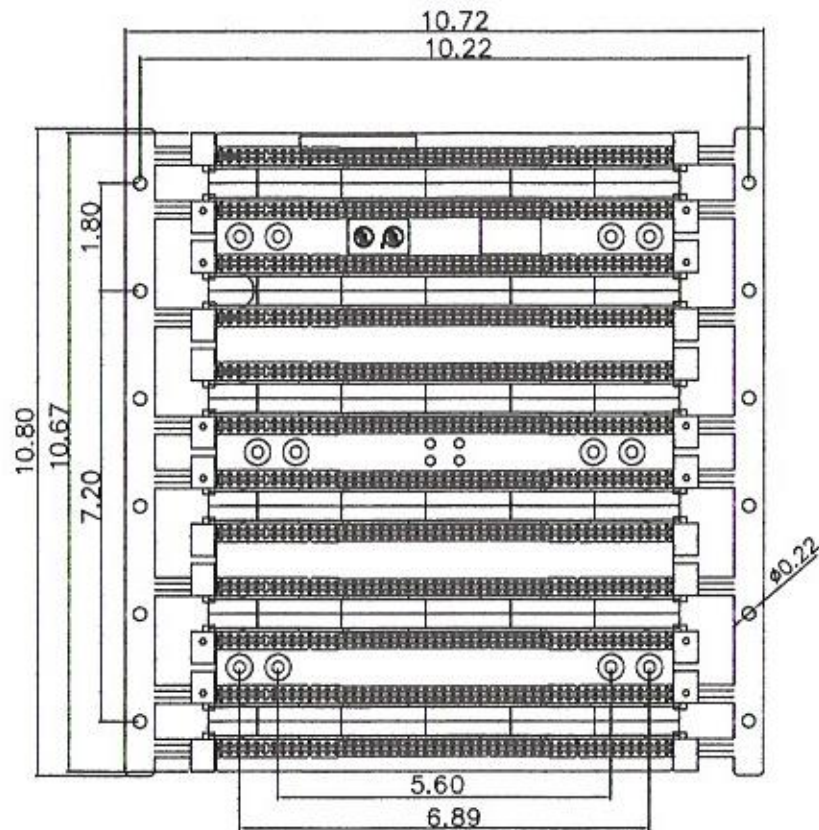
e-mail.....sales@dynacomcorp.com  
www.dynacomcorp.com

ALL DIMENSIONS ARE SHOWN IN MM

|  |                      |               |
|--|----------------------|---------------|
| NEXT ASSY: -                               | DRAWN: E.A. 03/28/06 | CHECKED: J.T. |
| TITLE: 100-Pair w/Legs (w/o Cable Entries) | DWG. NO. 110AWB-100  | REV. C        |

THE INFORMATION CONTAINED HEREON IS PROPRIETARY AND CONFIDENTIAL TO DYNACOM CORPORATION. AND SHALL NOT BE USED OR DISCLOSED, IN WHOLE OR IN PART WITHOUT FIRST OBTAINING THE WRITTEN PERMISSION OF DYNACOM CORPORATION.

| ZONE | REV. | DESCRIPTION   | DATE       | APPV. |
|------|------|---|------------|-------|
| -    | A    | INITIAL RELEASE                                       | 06/07/07   | E.A.  |
| A4   | B    | ITEM 2 WAS, 25 PR INSERT, 12, -. ITEM 1 WAS 110-300FT | 02/25/2015 | E.A.  |



| ITEM | PARTS DESCRIPTION    | QTY | P/N        |
|------|----------------------|-----|------------|
| 1    | 300 PR BASE WITH LEG | 1   | 110AWB-300 |
| 2    | DESI STRIP-WHITE     | 6   | 110PS      |
| 3    | INDEX HOLDER         | 6   | 110PH      |



e-mail.....sales@dynacomcorp.com

www.dynacomcorp.com

ALL DIMENSIONS SHOWN ARE IN INCHES.

|  |                        |               |
|--|------------------------|---------------|
| NEXT ASSY: -                               | DRAWN: E.A. 06/06/2007 | CHECKED: J.T. |
| TITLE: 300-Pair w/Legs (w/o Cable Entries) | DWG. NO. 110AWB-300    | REV. B        |