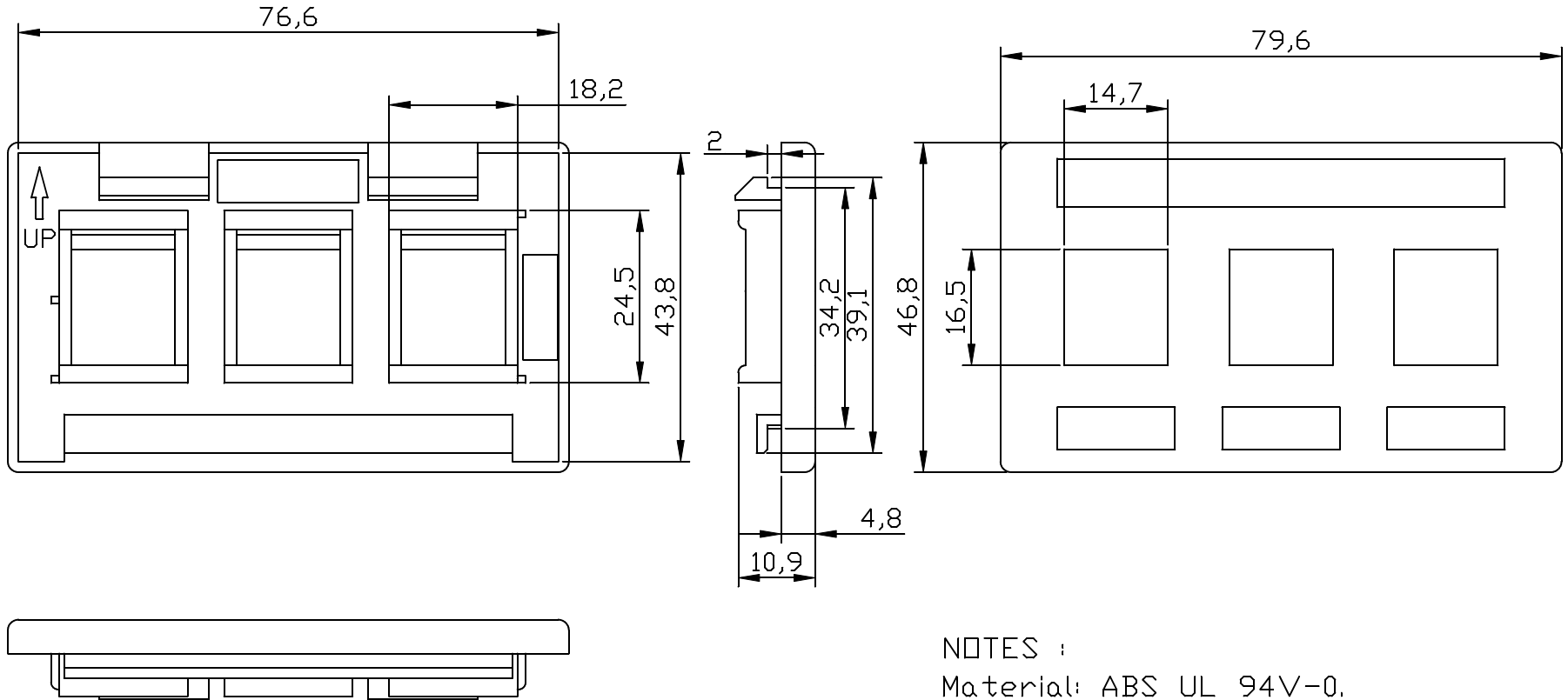


THE INFORMATION CONTAINED HEREON IS PROPRIETARY AND CONFIDENTIAL TO DYNACOM CORPORATION. AND SHALL NOT BE USED OR DISCLOSED, IN WHOLE OR IN PART WITHOUT FIRST OBTAINING THE WRITTEN PERMISSION OF DYNACOM CORPORATION. SPECIFICATIONS SUBJECT TO CHANGE WITHOUT NOTICE.

ZONE	REV.	DESCRIPTION	DATE	APPV.
-	A	INITIAL RELEASE	11/23/2012	E.A.
-	B			
-	C			
-	D			



e-mail...sales@dynamcomcorp.com
www.dynamcomcorp.com

DIMENSIONS: MM

NEXT ASSY: -

DRAWN: E.A.

CHECKED: A.L.

TITLE

3-PORT MODULAR FURNITURE FACEPLATE

DWG. NO.

106MF-3-BK

SHEET 1 OF 1

REV.

A