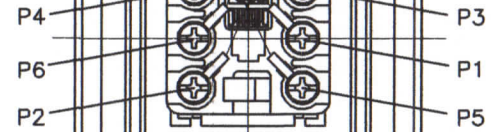
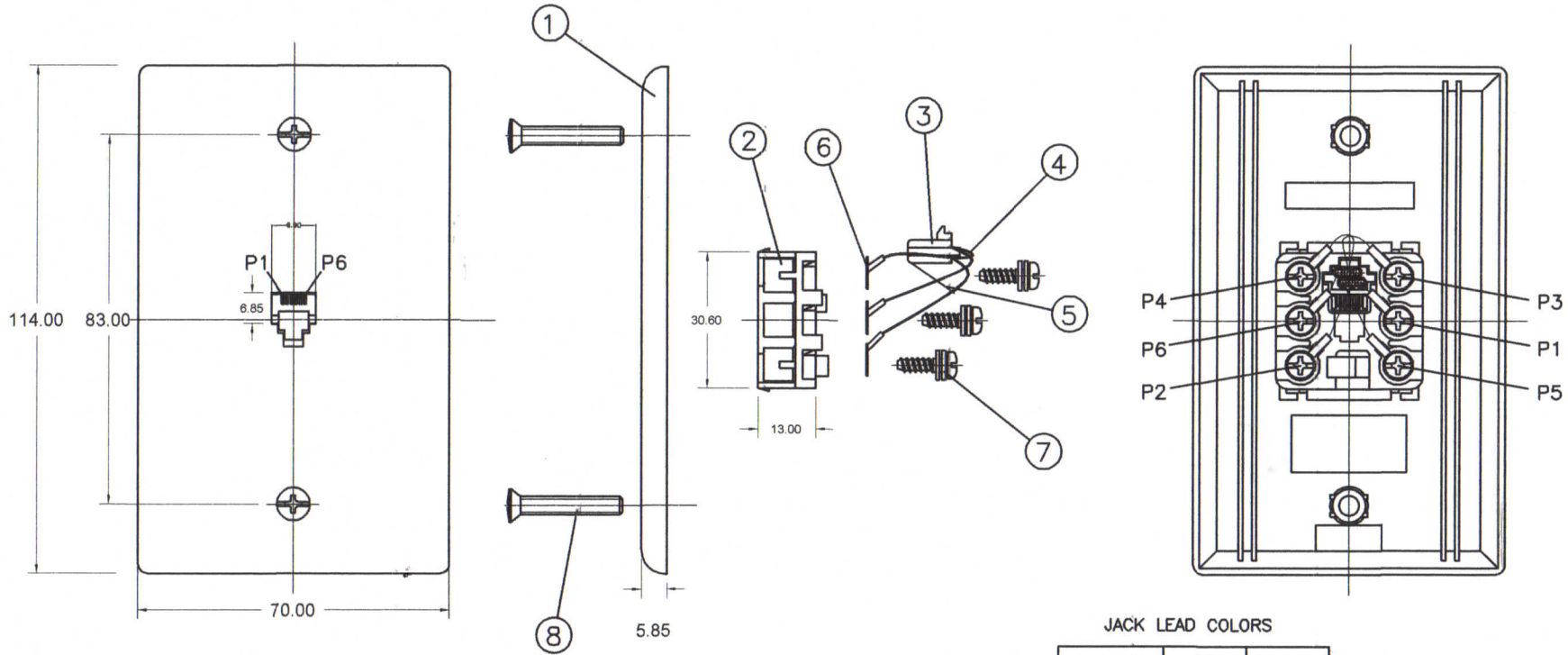


THE INFORMATION CONTAINED HEREON IS PROPRIETARY AND CONFIDENTIAL TO DYNACOM CORPORATION. AND SHALL NOT BE USED OR DISCLOSED, IN WHOLE OR IN PART WITHOUT FIRST OBTAINING THE WRITTEN PERMISSION OF DYNACOM CORPORATION.

ZONE	REV	DESCRIPTION	DATE	APPV.
-	A	INITIAL RELEASE	09/24/2013	E.A.



JACK LEAD COLORS

BLUE	P6	
YELLOW	P5	P5
GREEN	P4	P4
RED	P3	P3
BLACK	P2	P2
WHITE	P1	
COLOR	6P6C	6P4C
	LOCATION	

1031A

8	SCREW	SAE 1010 (NICKEL PLATING)	2	
7	SCREW	SAE 1010 (MFZn-C PLATING)	4,6	
6	TERMINAL	BRONZE	4,6	
5	SPRING WIRE	PHOSPHOR BRONZE u" HARD GOLD PLATING OVER NICKEL 100u"	4,6	
4	LEAD WIRE	0.18x7 STRAND UL1061	4,6	INSULATION
3	INSERT	ABS UL94V-0	1	
2	BASE	ABS UL94V-0	1	
1	WALL PLATE	ABS UL94V-0	1	
MARK	PART NAME	DESCRIPTION	Q'TY	REMARK

DIMENSIONS ARE SHOWN IN MILIMETERS.

NEXT ASSY: -	DRAWN: E.A. 09/24/2013	CHECKED: -
Flush Voice Jack, 1-Port (Screw)		DWG. NO. 10630S-X-XX
		REV. A



e-mail.....sales@dynacomcorp.com

web .....www.dynacomcorp.com