

1		2		3		4	
THE INFORMATION CONTAINED HEREON IS PROPRIETARY AND CONFIDENTIAL TO DYNACOM CORPORATION, AND SHALL NOT BE USED OR DISCLOSED, IN WHOLE OR IN PART, WITHOUT FIRST OBTAINING THE WRITTEN PERMISSION FROM DYNACOM CORPORATION.				DESCRIPTION		DATE	APPV.
ZONE	REV	RELEASED PROJECT ID: H2013L-DH-4XXX.				06/09/04	E.A.
-	A	ADDED PERFORMANCE CHART.				12/20/05	E.A.

SPECIFICATIONS SUBJECT TO CHANGE WITHOUT NOTICE.

No:	Description	QTY.	Material
1	JACK HOUSING	1	ABS 94V0
2	IDC SEAT	1	PC 94V0
3	IDC TERMINAL	8	P.B.
4	PCB	1	FR4
5	TERMINAL BASE	1	PBT+30%
6	TERMINAL COVER	1	PBT+30%
7	SPRING UP	1	P.B.
8	SPRING DOWN	1	P.B.
9	CAP	1	PC 94V0

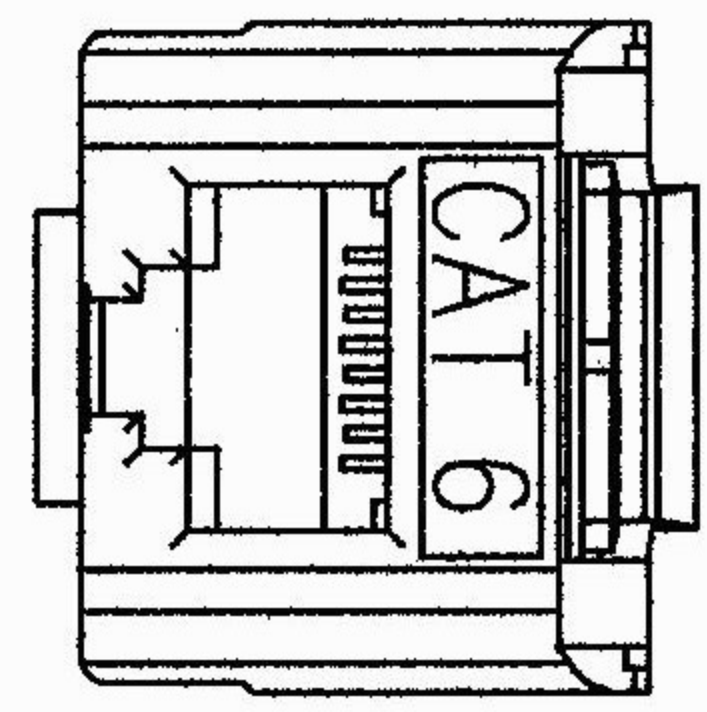
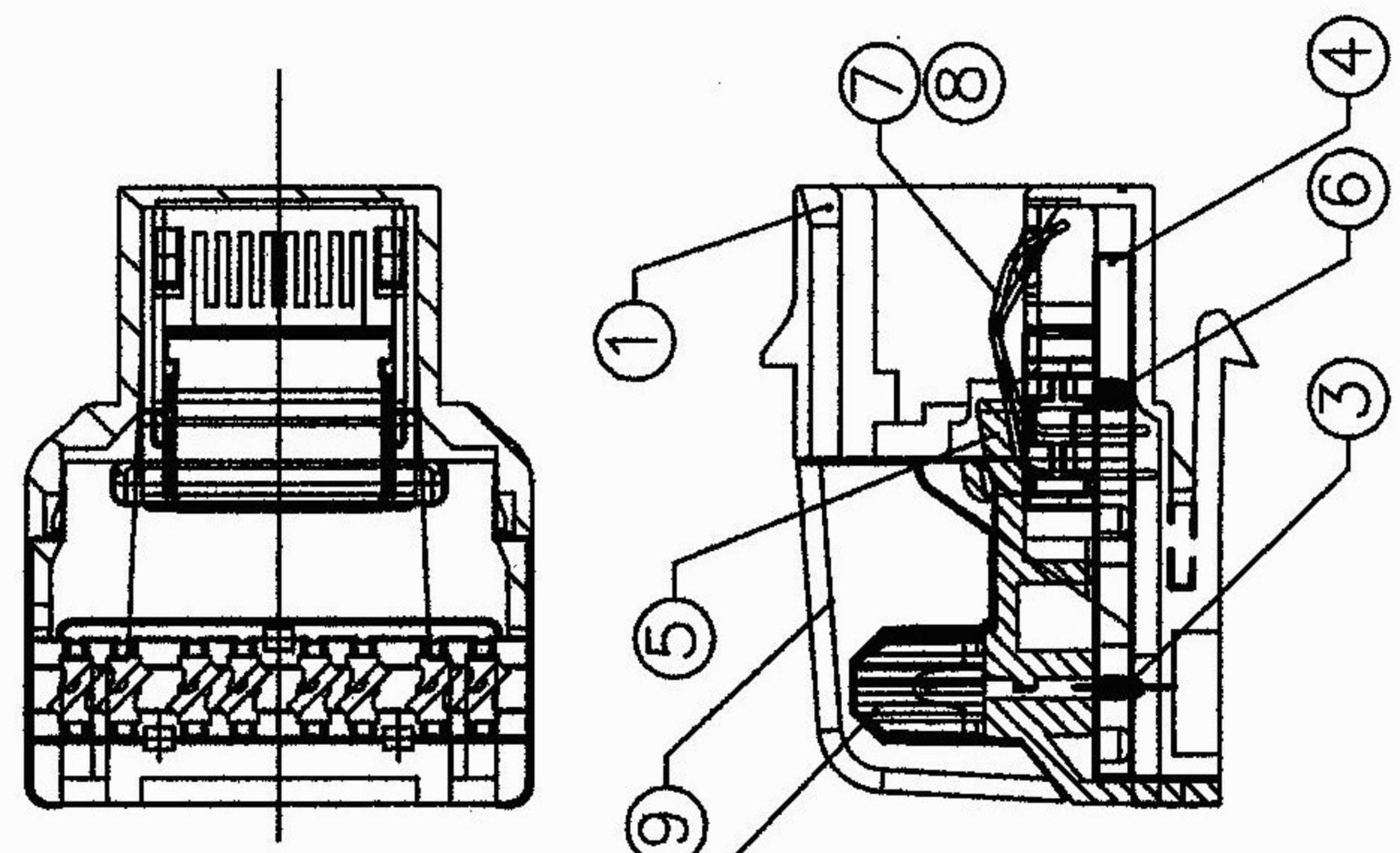
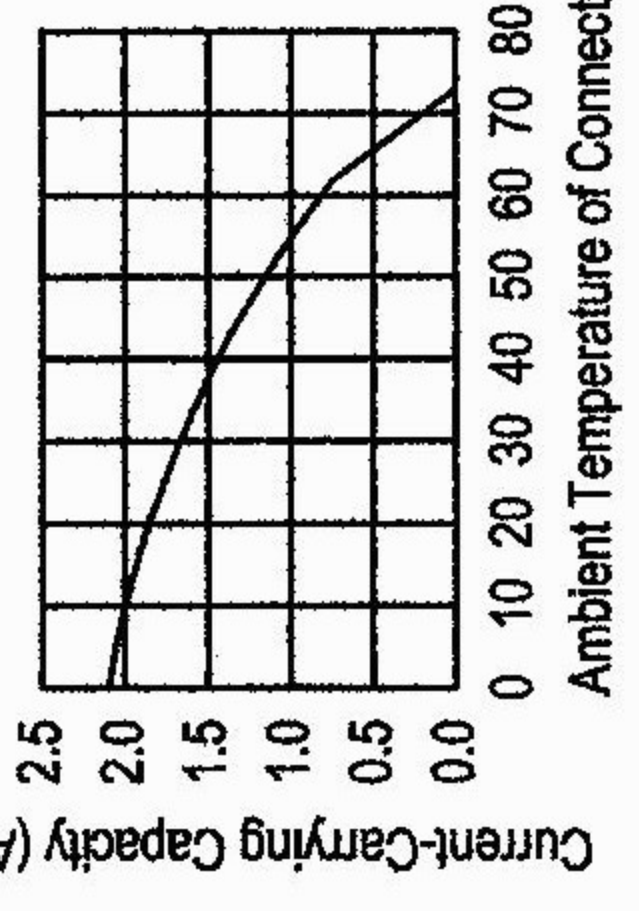
TRANSMISSION PERFORMANCE:
 Attenuation: Meets all requirements specified in connecting hardware requirement of TIA/EIA-568-B.2-1 Cat 6
 Return Loss: Meets all requirements specified in TIA/EIA-568-B.2-1 Cat 6
 NEXT: Margin at least 10dB tested by Fluke DSP4300 PM06 Adapter

ENVIRONMENTAL CONDITIONS:
 Temperature Range
 Storage: -40 to +70°C
 Operation: -10 to +60°C
 Relative Humidity (Operational): Maximum Noncondensing 93%

MECHANICAL:
 Total Contact Force: 800 Grams for A 8 Wire Leads minimum
 Retention: 50N (11 lbf) for 60s±5s
 Insertion / Extraction Life: 750 Cycles minimum
 IDC Wire Gauge: 22 ~ 26 AWG

PHYSICAL:
 Housing: High-Impact, Flame-Retardant Plastic, UL 94V0
 Spring Wire: Phosphor Bronze Alloy Plated with 50 micro-inch of Gold over 100 micro-inch of Nickel
 IDC: Phosphor Bronze Alloy with 100 micro-inch 9:1 Sn-Pb Alloy

ELECTRICAL:
 Electrical Insulation Resistance: 500 M Ω min. @ 100V d.c
 Dielectric Withstanding Voltage: 1000V RMS @ 60Hz for 1 minute
 Contact Resistance: 20 M Max. Ω
 Current Rating: As figure.



10606C Cat.6 CONNECTING HARDWARE PERFORMANCE

Frequency	1	4	8	10	16	20	25	31.25	62.5	100	200	250
NEXT	103.06	93.00	87.07	83.48	80.41	80.49	77.07	74.35	67.87	61.97	51.76	48.31
3,5-4.6 H/L NEXT	95.59	90.84	82.01	80.30	76.80	73.99	71.92	69.71	63.20	57.99	48.83	45.4
FEXT	88.68	79.64	74.44	72.45	68.80	66.97	65.03	63.22	56.63	51.50	41.65	38.05
RL	49.24	52.04	51.71	51.13	49.16	48.06	47.21	46.42	43.69	42.90	35.54	28.81
IL	0.03	0.00	0.02	0.03	0.03	0.04	0.04	0.04	0.06	0.09	0.19	0.25

Dynacom
 Network Products
 e-mail: info@dynacomcorp.com
 1366 San Mateo Ave Suite 201
 South San Francisco CA 94080

Dimensions: mm - DO NOT SCALE DRAWING
 NEXT ASSY: -
 TITLE: Cat 6 Jack Module

DRAWN: A.L. 06/09/04 CHECKED: Ellis Ashkenazi
 DWG. NO. 10606C SHEET 1 OF 1 REV. B