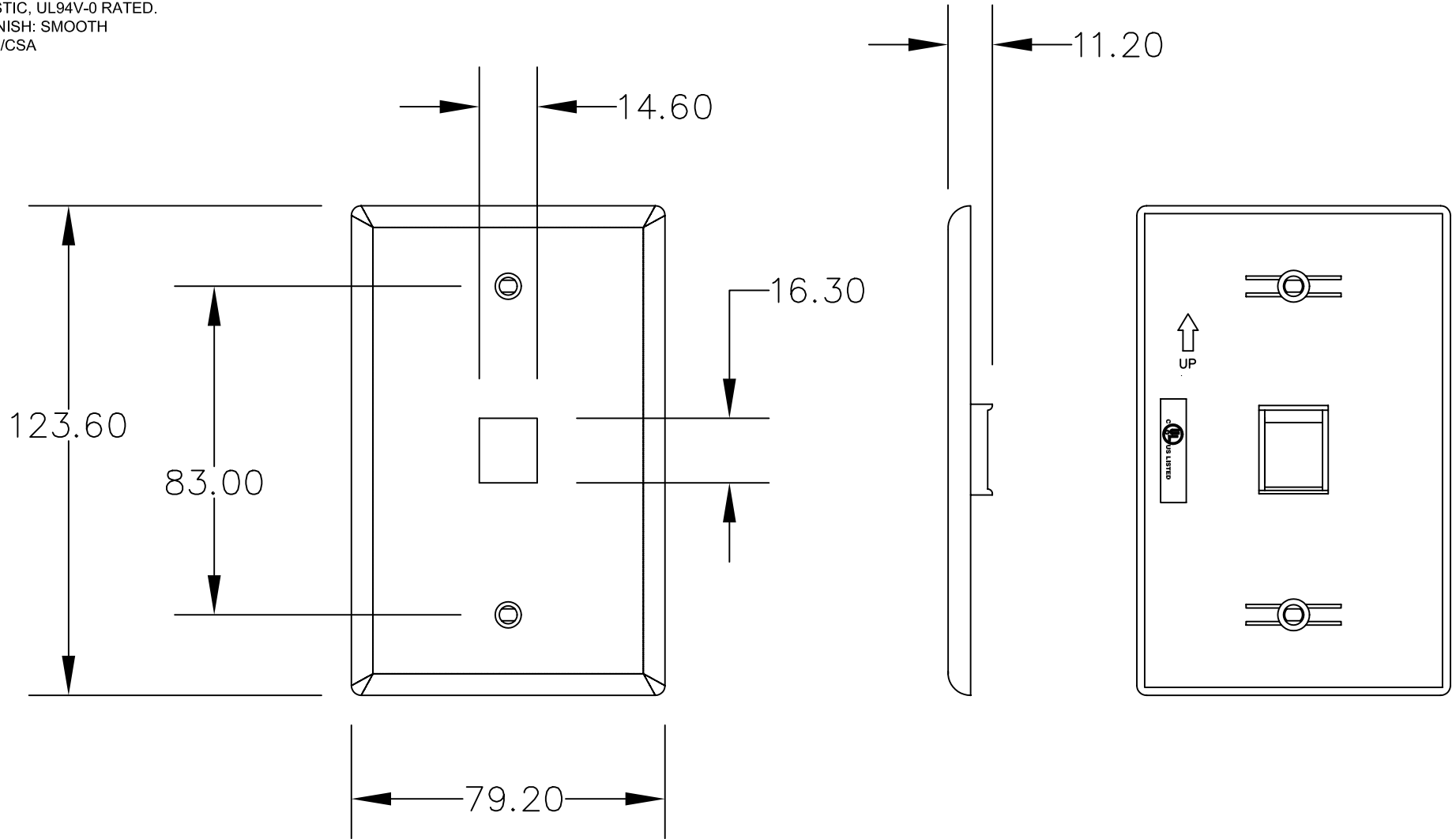


THE INFORMATION CONTAINED HEREON IS PROPRIETARY AND CONFIDENTIAL TO DYNACOM CORPORATION AND SHALL NOT BE USED OR DISCLOSED, IN WHOLE OR IN PART WITHOUT FIRST OBTAINING THE WRITTEN PERMISSION OF DYNACOM CORPORATION. SPECIFICATIONS ARE SUBJECT TO CHANGE WITHOUT NOTICE.

- 1. AVAILABLE COLORS: ELECTRICAL WHITE, ELECTRICAL IVORY
- 2. 1-PKG OF 2 SCREWS, 6-32 TYPE F, OVAL PHILLIPS COMBO HEAD 0.9 LONG. NICKEL PLATED
- 3. ABS, HIGH-IMPACT, FLAME-RETARDANT PLASTIC, UL94V-0 RATED.
- 4. FINISH: SMOOTH
- 5. UL/CSA



e-mail.....info@dynacomcorp.com

1366 San Mateo Ave Suite 201  
South San Francisco CA 94080

All Dimensions Are In Millimeters (mm)

TITLE:  
1-PORT OVERSIZE FACEPLATE

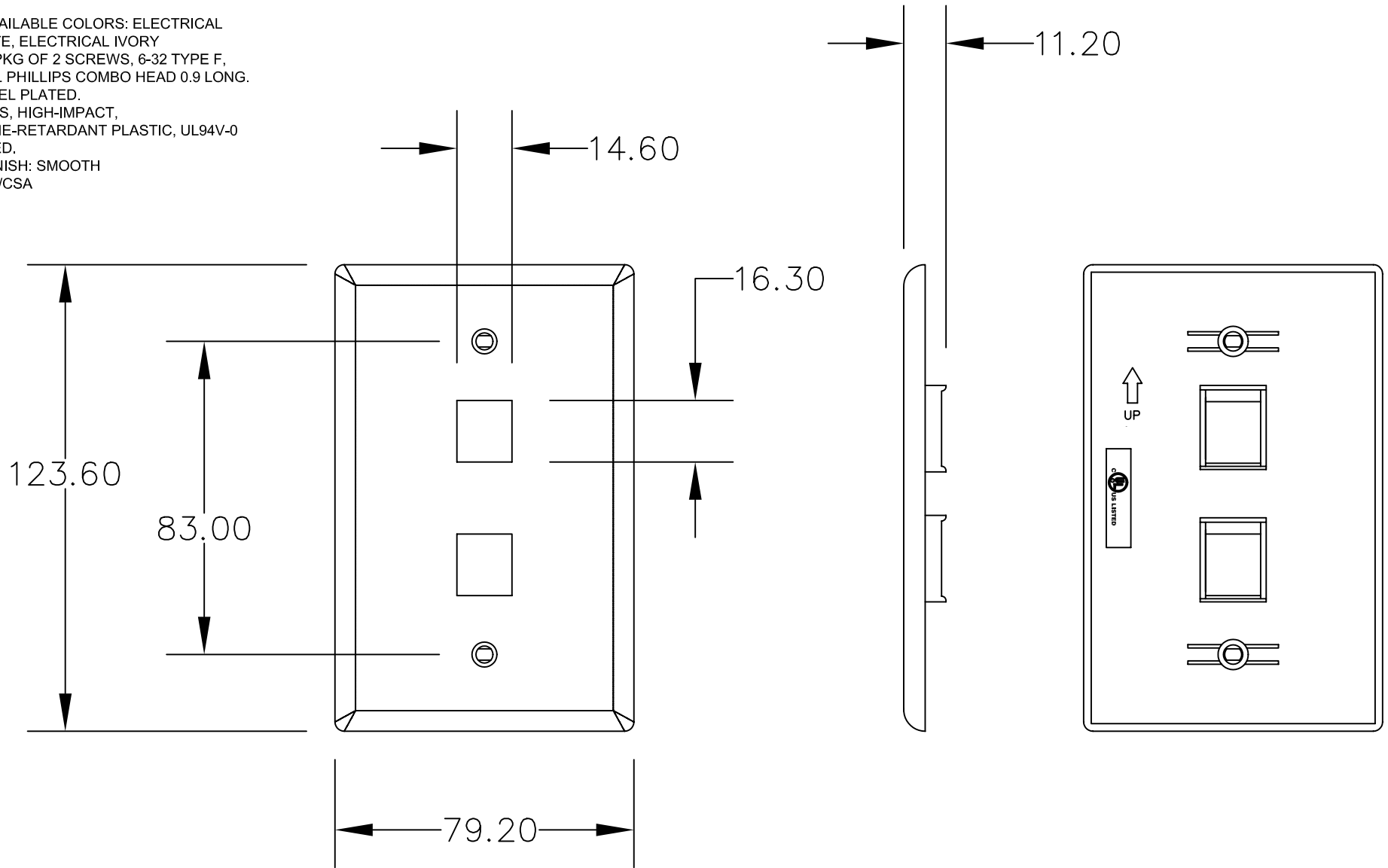
10600-SP1-XXX

REV.

1 2 3 4

THE INFORMATION CONTAINED HEREON IS PROPRIETARY AND CONFIDENTIAL TO DYNACOM CORPORATION AND SHALL NOT BE USED OR DISCLOSED, IN WHOLE OR IN PART WITHOUT FIRST OBTAINING THE WRITTEN PERMISSION OF DYNACOM CORPORATION.  
SPECIFICATIONS ARE SUBJECT TO CHANGE WITHOUT NOTICE.

- D
1. AVAILABLE COLORS: ELECTRICAL WHITE, ELECTRICAL IVORY
  2. 1-PKG OF 2 SCREWS, 6-32 TYPE F, OVAL PHILLIPS COMBO HEAD 0.9 LONG. NICKEL PLATED.
  3. ABS, HIGH-IMPACT, FLAME-RETARDANT PLASTIC, UL94V-0 RATED.
  4. FINISH: SMOOTH
  5. UL/CSA



e-mail.....info@dynacomcorp.com

1366 San Mateo Ave Suite 201  
South San Francisco CA 94080

All Dimensions Are In Millimeters (mm)

TITLE:  
2-PORT OVERSIZE FACEPLATE

10600-SP2-XXX

REV.

1

2

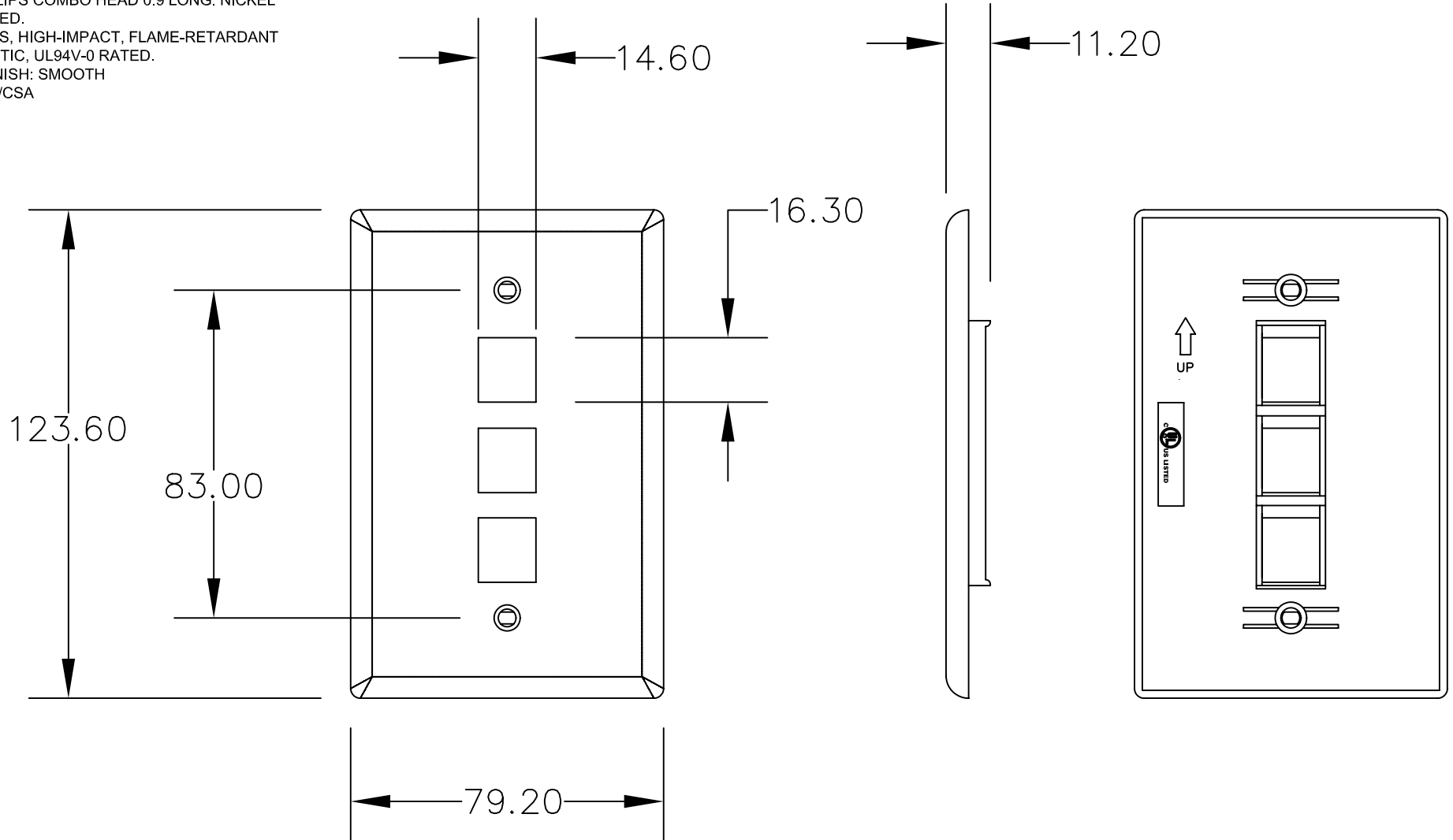
3

4

1 2 3 4

THE INFORMATION CONTAINED HEREON IS PROPRIETARY AND CONFIDENTIAL TO DYNACOM CORPORATION AND SHALL NOT BE USED OR DISCLOSED, IN WHOLE OR IN PART WITHOUT FIRST OBTAINING THE WRITTEN PERMISSION OF DYNACOM CORPORATION.  
SPECIFICATIONS ARE SUBJECT TO CHANGE WITHOUT NOTICE.

- D
1. AVAILABLE COLORS: ELECTRICAL WHITE, ELECTRICAL IVORY.
  2. 1-PKG OF 2 SCREWS, 6-32 TYPE F, OVAL PHILLIPS COMBO HEAD 0.9 LONG. NICKEL PLATED.
  3. ABS, HIGH-IMPACT, FLAME-RETARDANT PLASTIC, UL94V-0 RATED.
  4. FINISH: SMOOTH
  5. UL/CSA



e-mail.....info@dynacomcorp.com

1366 San Mateo Ave Suite 201  
South San Francisco CA 94080

All Dimensions Are In Millimeters (mm)

TITLE:  
3-PORT OVERSIZE FACEPLATE

10600-SP3-XXX

REV.

1

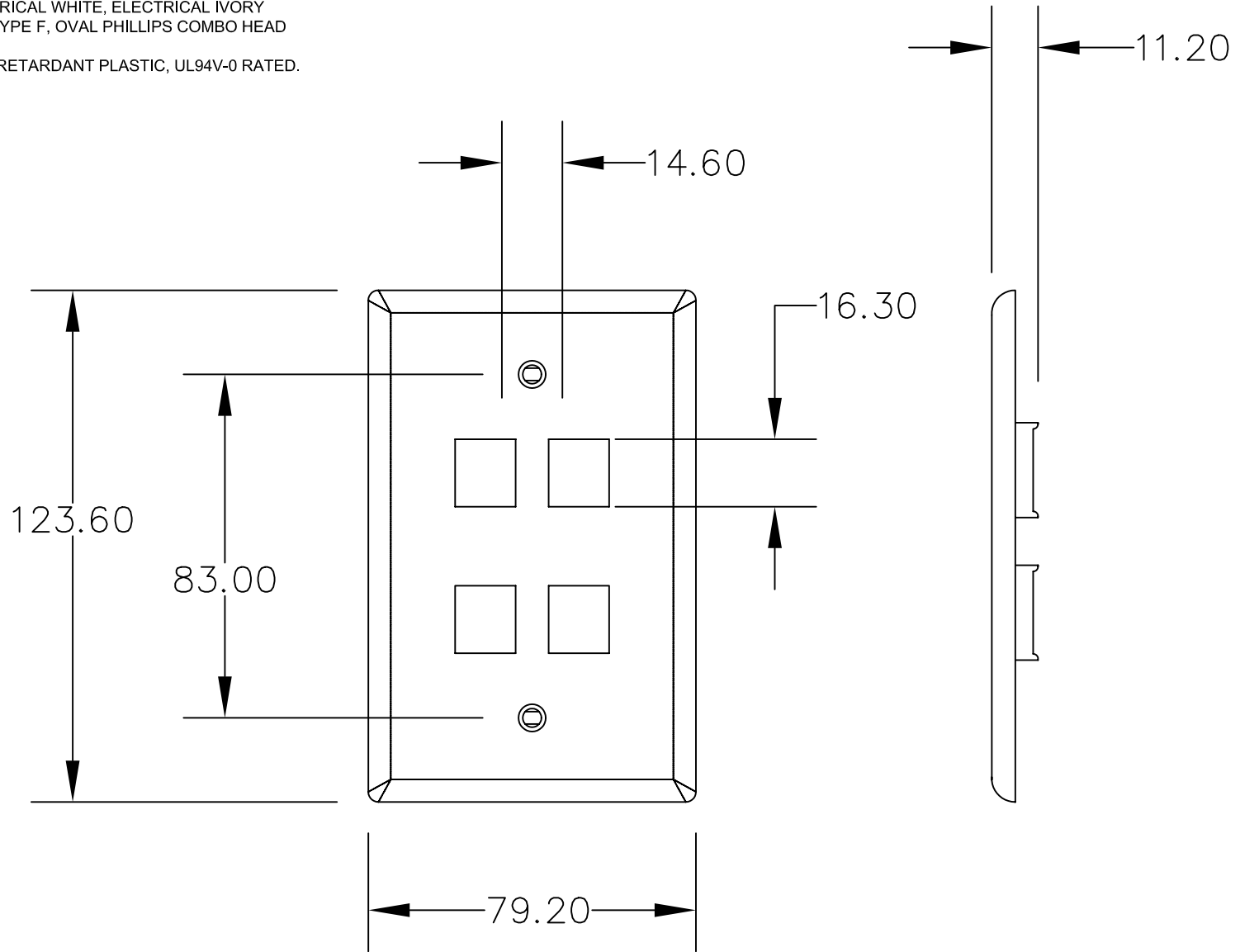
2

3

4

THE INFORMATION CONTAINED HEREON IS PROPRIETARY AND CONFIDENTIAL TO DYNACOM CORPORATION AND SHALL NOT BE USED OR DISCLOSED, IN WHOLE OR IN PART WITHOUT FIRST OBTAINING THE WRITTEN PERMISSION OF DYNACOM CORPORATION. SPECIFICATIONS ARE SUBJECT TO CHANGE WITHOUT NOTICE.

- 1. AVAILABLE COLORS: ELECTRICAL WHITE, ELECTRICAL IVORY
- 2. 1-PKG OF 2 SCREWS, 6-32 TYPE F, OVAL PHILLIPS COMBO HEAD 0.9 LONG, NICKEL PLATED.
- 3. ABS, HIGH-IMPACT, FLAME-RETARDANT PLASTIC, UL94V-0 RATED.
- 4. FINISH: SMOOTH
- 5. UL/CSA



e-mail.....info@dynacomcorp.com

1366 San Mateo Ave Suite 201  
 South San Francisco CA 94080

All Dimensions Are In Millimeters (mm)

TITLE:  
 4-PORT OVERSIZE FACEPLATE

10600-SP4-XXX

REV.