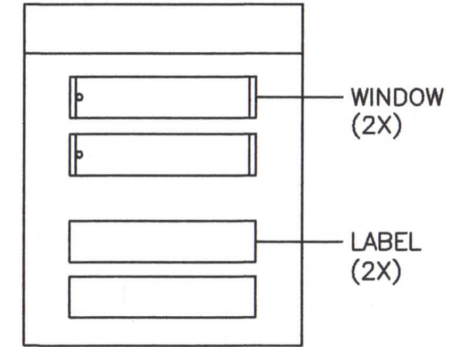
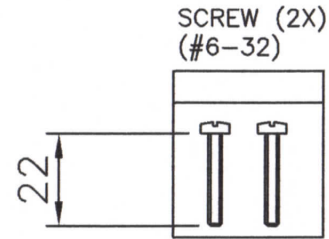


THE INFORMATION CONTAINED HEREON IS PROPRIETARY AND CONFIDENTIAL TO DYNACOM CORPORATION, AND SHALL NOT BE USED OR DISCLOSED, IN WHOLE OR IN PART, WITHOUT FIRST OBTAINING THE WRITTEN PERMISSION FROM DYNACOM CORPORATION.

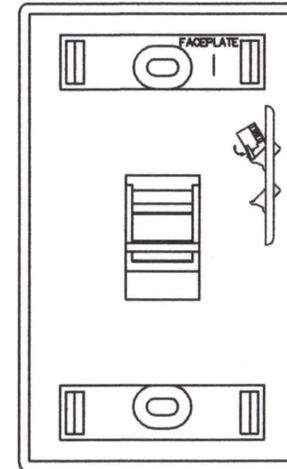
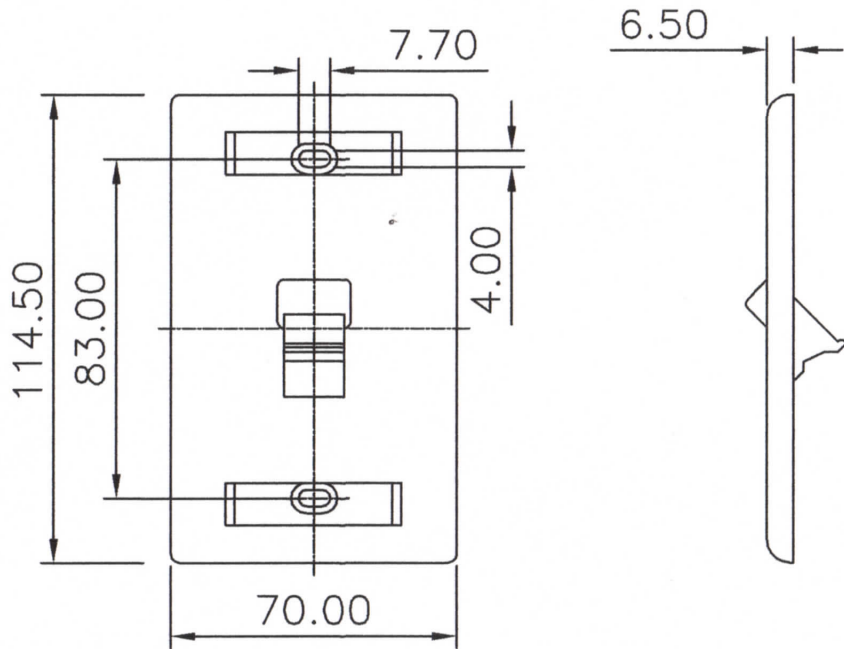
ZONE	REV	DESCRIPTION	DATE	APPV.
-	A	RELEASED.	10/28/2013	E.A.

NOTES:

- 1.MATERIAL: ABS UL 94V-0.
COLOR: OPTIONAL.
- 2.PART TO BE FREE BURRS,SCRATCHES,SPOTS, SUCKS OR OTHER IMPERFECTIONS THAT MAY PREJUDICE THE APPEARANCE OR FUNCTION.
- 3.FINISH: TEXTURE MT11020



KIT PACKAGE



e-mail.....sales@dynacomcorp.com
Hayward, California 94544

Dimensions: mm - DO NOT SCALE DRAWING

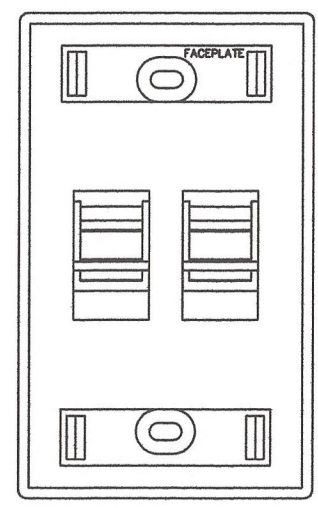
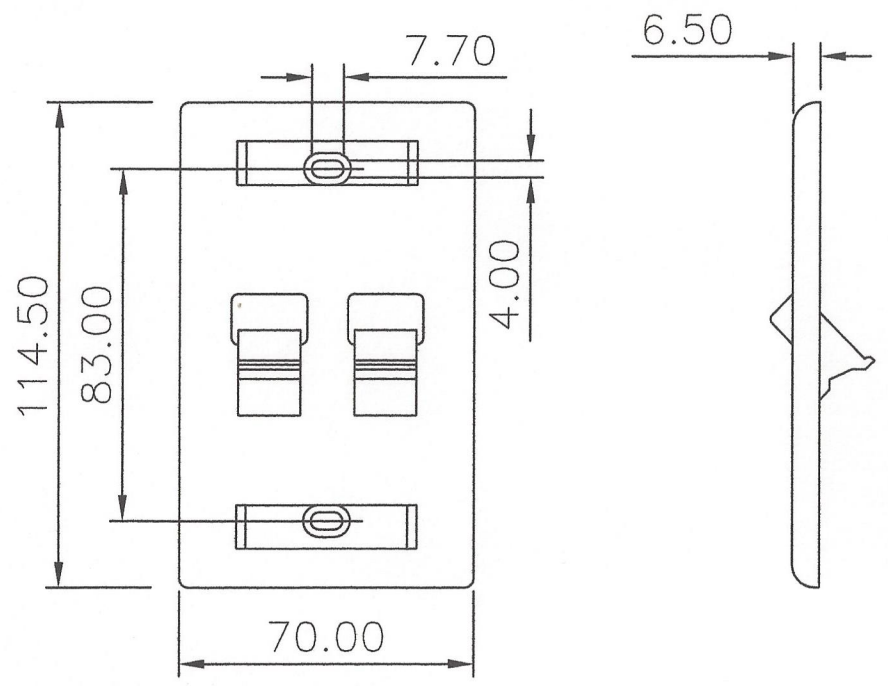
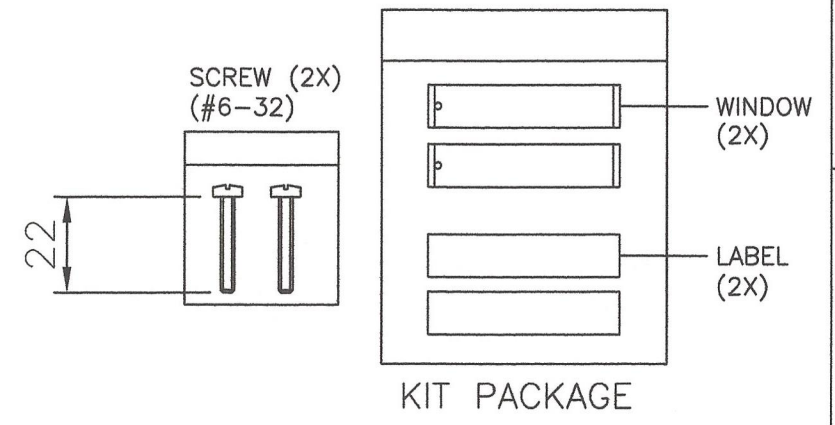
NEXT ASSY-	DRAWN: E.A. 10/28/2013	CHECKED: E.A.
TITLE: ID WINDOW WALLPLATE, 1-PORT, ANGLED	DWG. NO. 10600-P1AW-XX	SHEET 1 OF 1 REV. A

THE INFORMATION CONTAINED HEREON IS PROPRIETARY AND CONFIDENTIAL TO DYNACOM CORPORATION. AND SHALL NOT BE USED OR DISCLOSED, IN WHOLE OR IN PART WITHOUT FIRST OBTAINING THE WRITTEN PERMISSION OF DYNACOM CORPORATION. SPECIFICATIONS SUBJECT TO CHANGE WITHOUT NOTICE.

ZONE	REV.	DESCRIPTION	DATE	APPV.
-	A	INITIAL RELEASE	05/12/2015	E.A.

NOTES:

- 1.MATERIAL: ABS UL 94V-0.
COLOR: WHITE
- 2.PART TO BE FREE BURRS,SCRATCHES,SPOTS, SUCKS OR OTHER IMPERFECTIONS THAT MAY PREJUDICE THE APPEARANCE OR FUNCTION.
- 3.FINISH: TEXTURE MT11020



e-mail....sales@dynacomcorp.com
www.dynacomcorp.com

TOLS ~ 20MM ± 0.2MM, OVER 20MM TO 60MM ± 0.4MM, OVER 60MM ± 0.8MM. ANGLES ± 1 DEG			
NEXT ASSY: -	DRAWN: E.A. 05/12/2015	CHECKED: EA	
TITLE	DWG. NO.	SHEET 1 OF 1	REV.
ID Window Wallplate, 2 Port, Angled	10600-P2AW-WH		A

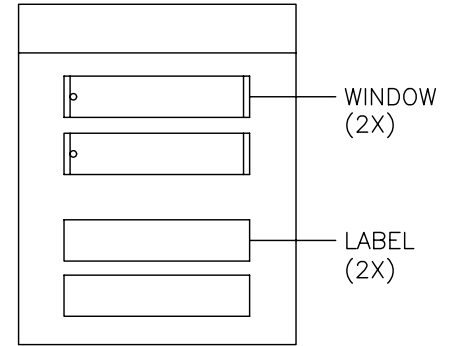
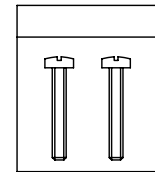
THE INFORMATION CONTAINED HEREON IS PROPRIETARY AND CONFIDENTIAL TO DYNACOM CORPORATION, AND SHALL NOT BE USED OR DISCLOSED, IN WHOLE OR IN PART, WITHOUT FIRST OBTAINING THE WRITTEN PERMISSION FROM DYNACOM CORPORATION.

ZONE	REV	DESCRIPTION	DATE	APPV.
-	A	RELEASED.	09/16/2008	E.A.

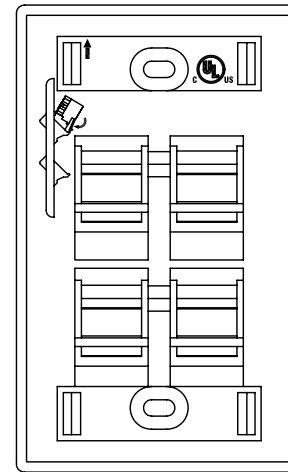
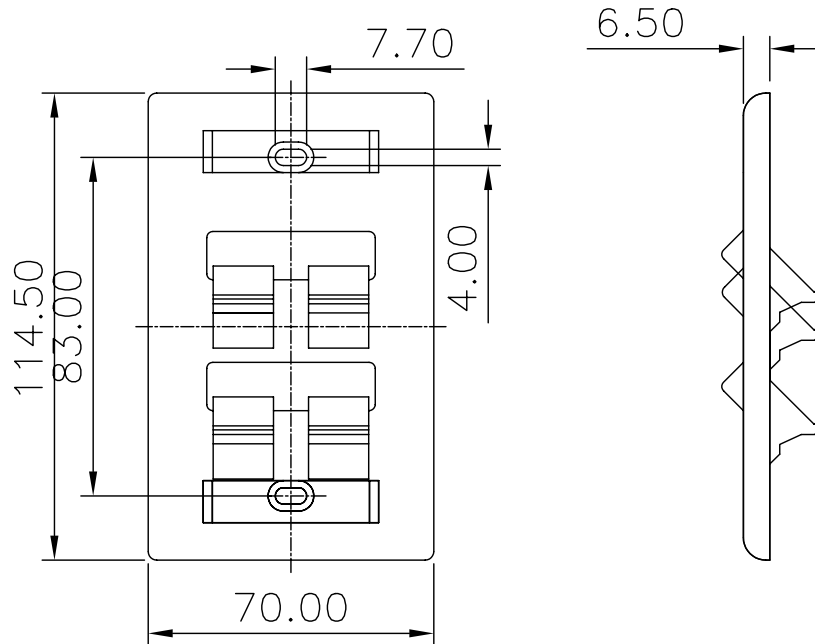
NOTES:

- 1.MATERIAL: ABS UL 94V-0.
COLOR: OPTIONAL.
- 2.PART TO BE FREE BURRS,SCRATCHES,SPOTS, SUCKS OR OTHER IMPERFECTIONS THAT MAY PREJUDICE THE APPEARANCE OR FUNCTION.
- 3.FINISH: TEXTURE MT11020

SCREW (2X)
(#6-32)



KIT PACKAGE



e-mail.....sales@dynacomcorp.com
31082 San Antonio Street
Hayward, California 94544

Dimensions: mm - DO NOT SCALE DRAWING

NEXT ASSY-	DRAWN: E.A.	CHECKED: E.A.
TITLE: ID WINDOW WALLPLATE, 4-PORT, ANGLED	DWG. NO. 10600-P4A-XX	SHEET 1 OF 1 REV. A