

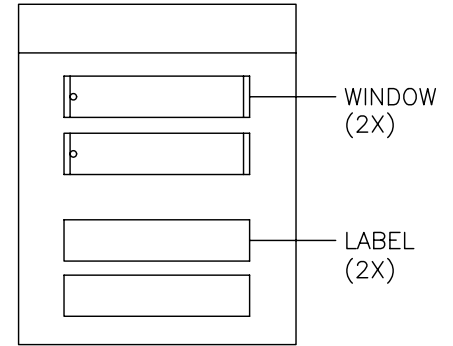
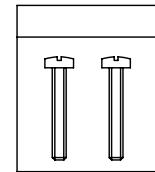
THE INFORMATION CONTAINED HEREON IS PROPRIETARY AND CONFIDENTIAL TO DYNACOM CORPORATION, AND SHALL NOT BE USED OR DISCLOSED, IN WHOLE OR IN PART, WITHOUT FIRST OBTAINING THE WRITTEN PERMISSION FROM DYNACOM CORPORATION.

ZONE	REV	DESCRIPTION	DATE	APPV.
-	A	RELEASED.	09/16/2008	E.A.

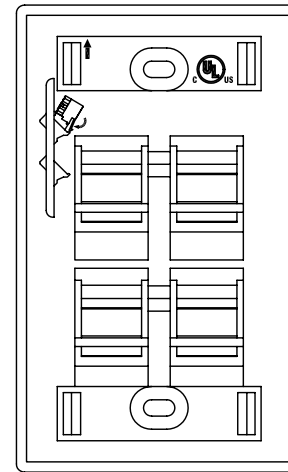
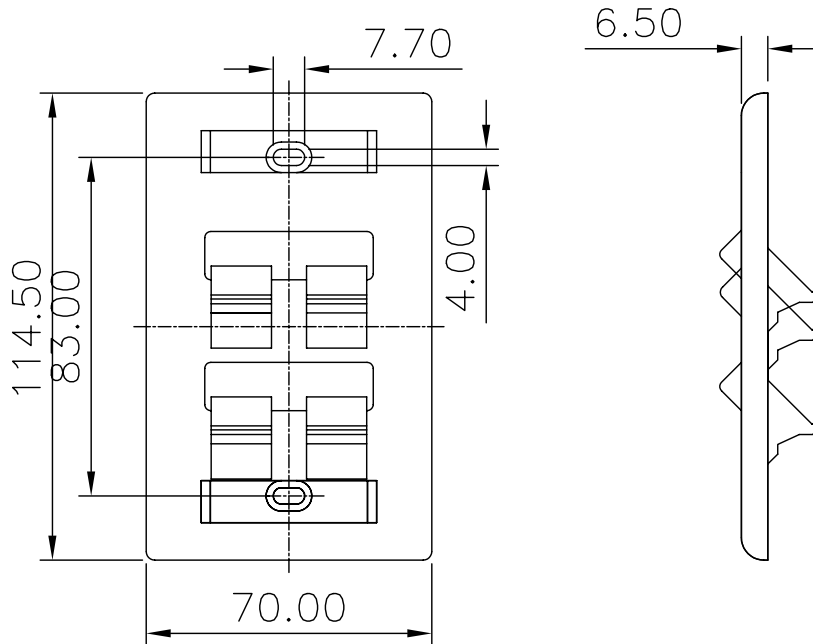
NOTES:

- 1.MATERIAL: ABS UL 94V-0.  
COLOR: OPTIONAL.
- 2.PART TO BE FREE BURRS,SCRATCHES,SPOTS, SUCKS OR OTHER IMPERFECTIONS THAT MAY PREJUDICE THE APPEARANCE OR FUNCTION.
- 3.FINISH: TEXTURE MT11020

SCREW (2X)  
(#6-32)



KIT PACKAGE



e-mail.....sales@dynacomcorp.com  
31082 San Antonio Street  
Hayward, California 94544

Dimensions: mm - DO NOT SCALE DRAWING

NEXT ASSY-	DRAWN: E.A.	CHECKED: E.A.
TITLE: <b>ID WINDOW WALLPLATE, 4-PORT, ANGLED</b>	DWG. NO. <b>10600-P4A-XX</b>	SHEET 1 OF 1 REV. <b>A</b>