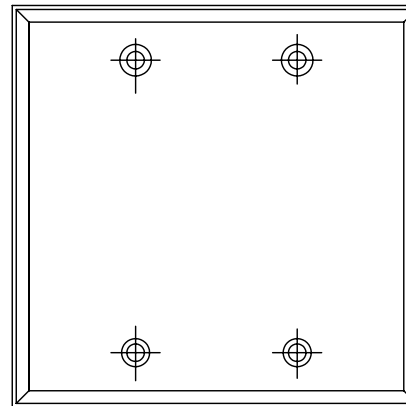
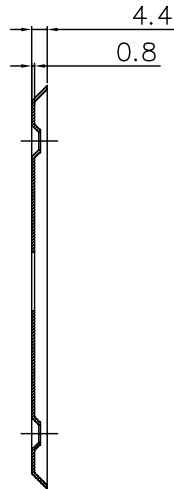
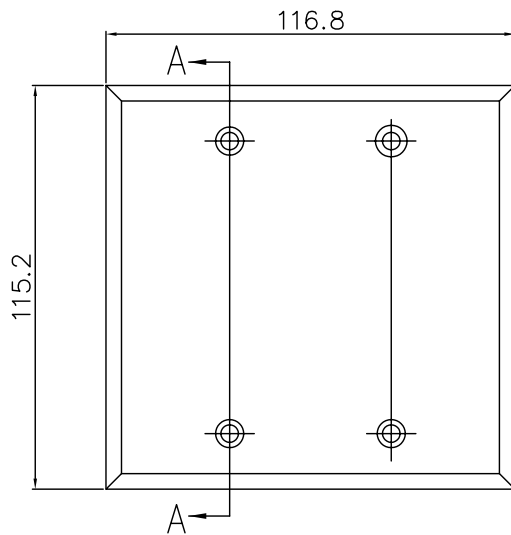


THE INFORMATION CONTAINED HEREON IS PROPRIETARY AND CONFIDENTIAL TO DYNACOM CORPORATION, AND SHALL NOT BE USED OR DISCLOSED, IN WHOLE OR IN PART, WITHOUT FIRST OBTAINING THE WRITTEN PERMISSION FROM DYNACOM CORPORATION.

ZONE	REV	DESCRIPTION	DATE	APPV.
-	A	RELEASED.	09/16/2008	E.A.

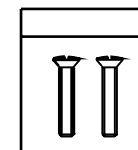
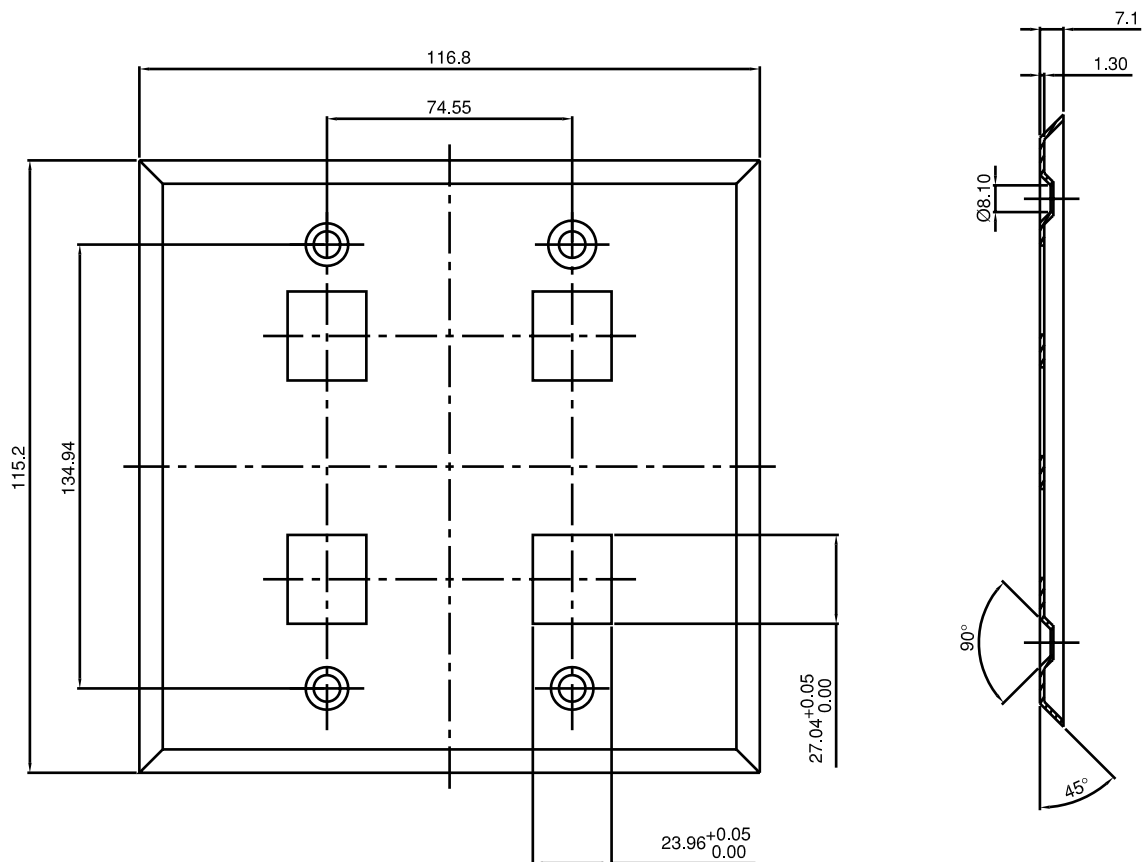


e-mail.....sales@dynacomcorp.com
 31082 San Antonio Street
 Hayward, California 94544

Dimensions: mm - DO NOT SCALE DRAWING

NEXT ASSY-	DRAWN: E.A.	CHECKED: E.A.
TITLE: Wallplate, Blank Double-Gang, Stainless Steel	DWG. NO. 10600-DPB-SS	SHEET 1 OF 1 REV. A

THE INFORMATION CONTAINED HEREON IS PROPRIETARY AND CONFIDENTIAL TO DYNACOM CORPORATION AND SHALL NOT BE USED OR DISCLOSED, IN WHOLE OR IN PART WITHOUT FIRST OBTAINING THE WRITTEN PERMISSION OF DYNACOM CORPORATION. SPECIFICATIONS ARE SUBJECT TO CHANGE WITHOUT NOTICE.



NOTES:

- .8mm STAINLESS STEEL(SUS 304)
- JACK SHELF: ABS 94V-0
- 2.BURRS DO NOT EXCEED 0.10 mm

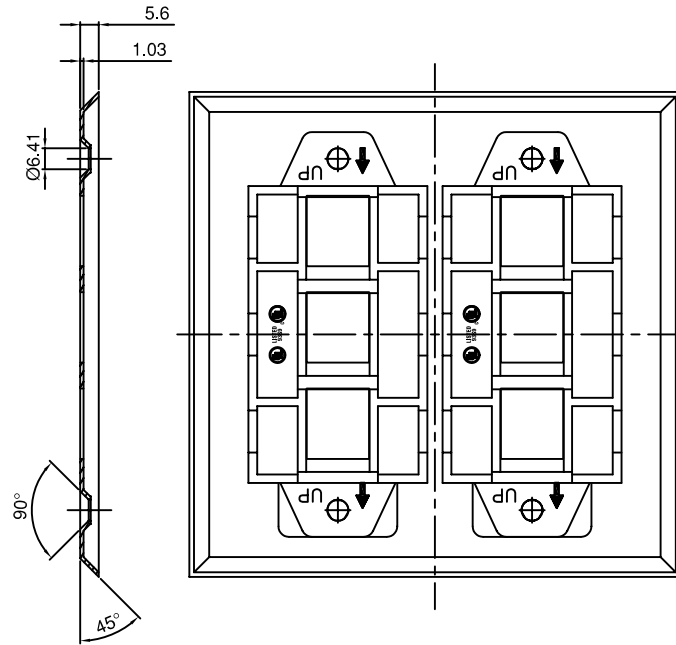
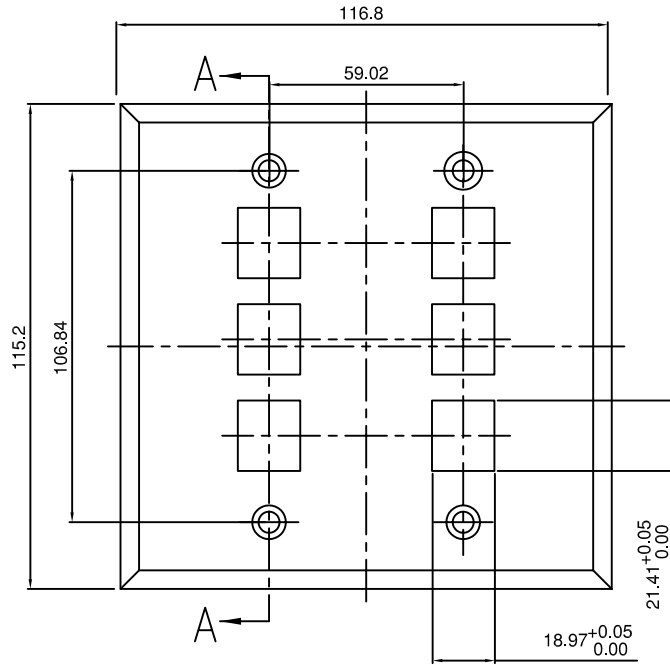
4

3

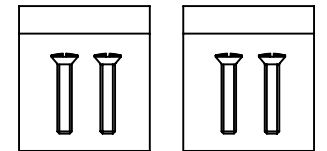
2

1

THE INFORMATION CONTAINED HEREON IS PROPRIETARY AND CONFIDENTIAL TO DYNACOM CORPORATION AND SHALL NOT BE USED OR DISCLOSED, IN WHOLE OR IN PART WITHOUT FIRST OBTAINING THE WRITTEN PERMISSION OF DYNACOM CORPORATION. SPECIFICATIONS ARE SUBJECT TO CHANGE WITHOUT NOTICE.



PACKAGE KIT:



SCREW (2PCS/BAG)
(#6-32)

NOTES:

- 1.MATERIAL: FACEPLATE: 0.8mm STAINLESS STEEL(SUS 304)
JACK SHELF: ABS 94V-0
- 2.BURRS DO NOT EXCEED 0.10 mm

UNLESS OTHERWISE SPECIFIED: TOLERANCES		PROJECT ID 10600-DP6-SS			
DECIMAL	~20 ±0.1mm OVER 20~60 ±0.15mm OVER 60 ~ ±0.2mm	ANGULAR	±0°50'	FILE	DATE
MATERIAL		DRAWN		TITLE 6-PORT STAINLESS STEEL DUAL GANG	
SURFACE		CHECK		SIZE	DRAWING NUMBER
FINISH		APPROVED		PART NUMBER	REV
				SCALE	UNIT
				mm	SHEET

D

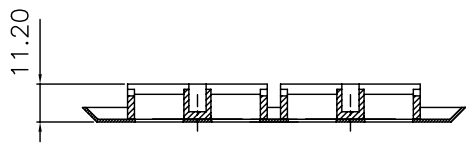
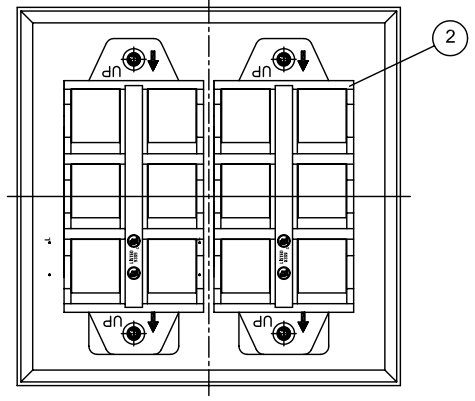
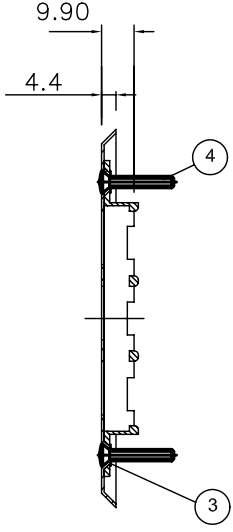
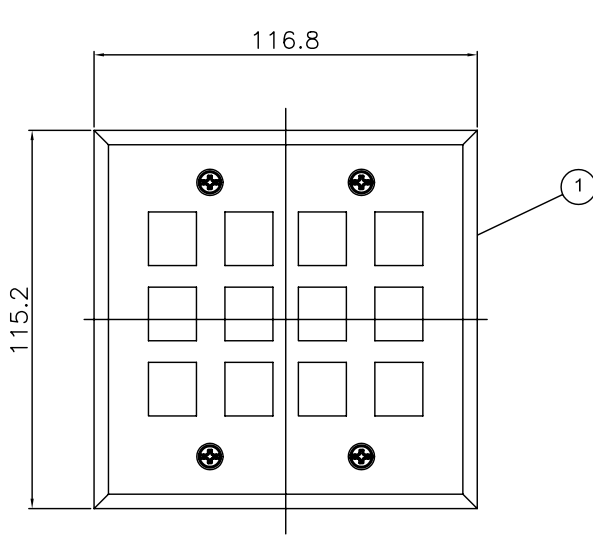
C

B

A

THE INFORMATION CONTAINED HEREON IS PROPRIETARY AND CONFIDENTIAL TO DYNACOM CORPORATION, AND SHALL NOT BE USED OR DISCLOSED, IN WHOLE OR IN PART, WITHOUT FIRST OBTAINING THE WRITTEN PERMISSION FROM DYNACOM CORPORATION.

ZONE	REV	DESCRIPTION	DATE	APPV.
-	A	RELEASED.	11/19/2008	E.A.



4	SCREW	4
3	RIVET	4
2	JACK SHELF	2
1	PLATE	1
NO.	DESCRIPTION	QTY



e-mail.....sales@dynacomcorp.com
 31082 San Antonio Street
 Hayward, California 94544

Dimensions: mm - DO NOT SCALE DRAWING

NEXT ASSY-	DRAWN: E.A.	CHECKED: E.A.
TITLE: 12-Port, Wallplate Double-Gang, Stainless Steel	DWG. NO. 10600-DP12-SS	SHEET 1 OF 1 REV. A