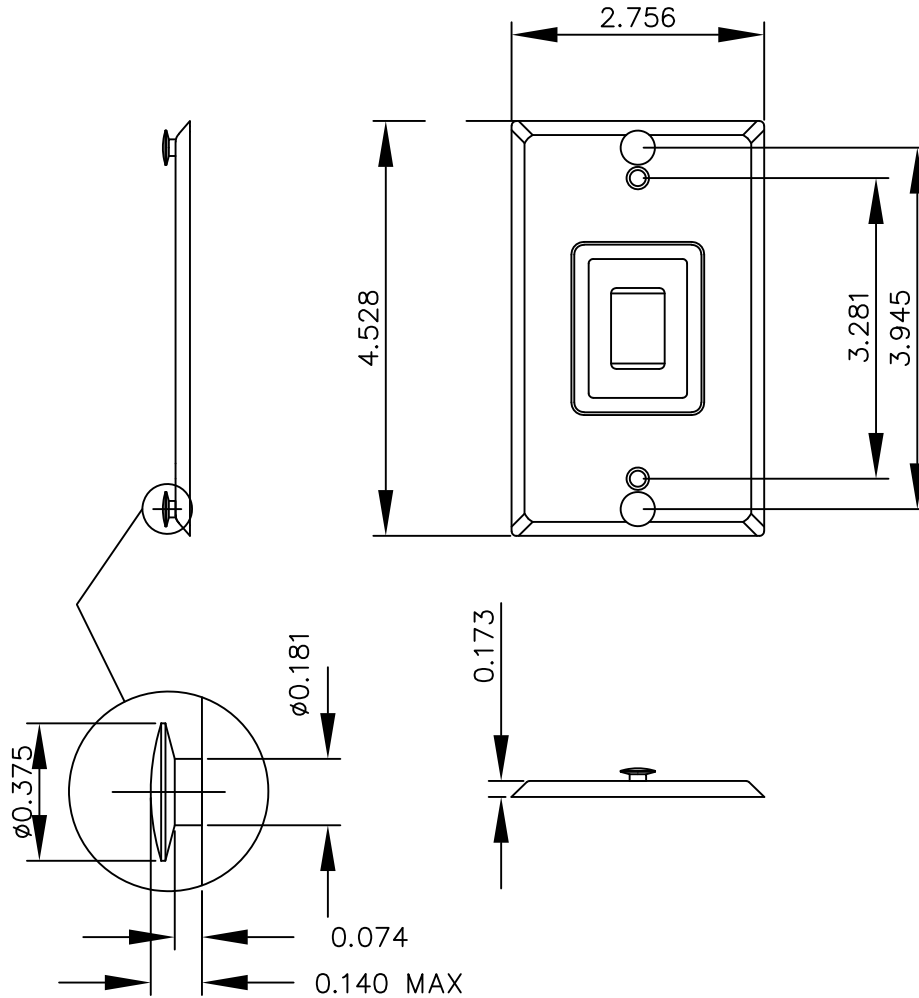


THE INFORMATION CONTAINED HEREON IS PROPRIETARY AND CONFIDENTIAL TO DYNACOM CORPORATION, AND SHALL NOT BE USED OR DISCLOSED, IN WHOLE OR IN PART, WITHOUT FIRST OBTAINING THE WRITTEN PERMISSION FROM DYNACOM CORPORATION.

ZONE	REV	DESCRIPTION	DATE	APPV.
-	A	RELEASED.	09/16/2008	E.A.
-	B	REDREW DRAWING SHOWING RIVETS	6/29/2015	E.A.
-	C	ADD MORE DIMENSIONS	1/4/2021	A.Z.



NOTES:

- 1 . MATERIAL: STAINLESS STEEL.
2. QUANTITY: 1 PER PACKAGE
3. DIMENSIONS MEET ANSI/TIA-569-D



e-mail.....sales@dynamcomcorp.com

31082 San Antonio Street
Hayward, California 94544

Dimensions: inch

NEXT ASSY-

DRAWN: A.Z.

CHECKED: E.A.

TITLE:

Wallphone Wallplate for VoIP

DWG. NO.

10600-AD

SHEET 1 OF 1

REV.

C